



6' x 8' Chicken Coop Plan

Up to 4 chickens

[Click here for metric version](#)

Disclaimer

The information provided here will show you how to build a chicken coop.

However, www.easycoops.com does not claim that the recommended techniques are the only way to accomplish this task. It will be the responsibility of each customer to ensure the application of the correct construction methods and the use of the proper materials.

In addition to the selection of the materials, the customer will be responsible for such construction tasks as caulking, flashing, gluing, insulating, and nailing, and for adequate workmanship in the areas of installation, roofing and weatherproofing, as well as for any other skills that are beyond the control of the designer. The materials mentioned in the plans do not represent an endorsement or recommendation of any particular product.

The Responsibility of Users

Despite our commitment to presenting accurate information, www.easycoops.com is not liable for any errors or omissions appearing in the plans. Furthermore, www.easycoops.com will not be liable for any consequential, special, incidental or indirect damages resulting from the use of this information. Our freedom from liability also extends to such issues as the loss of anticipated profits or business opportunities, and economic losses stemming from the use of www.easycoops.com , regardless of whether there has been notification of such damage.

Liability

Those who utilize the methods described on www.easycoops.com will be responsible for their own actions. We are not liable for any injuries or property damage that may arise from the use of the information appearing on this website. If you decide to use these plans, you should use only quality materials and should always follow good safety practices. In the event that you are unable to complete the project on your own, you should contact a certified contractor to ensure that construction is completed in accordance with the highest standards.

Permissions

It is important to understand that planning and permission issues are dependent upon local requirements. Users of these plans are responsible for complying with the appropriate statutes and regulations, and for the proper implementation of the plans or other construction information provided by www.easycoops.com . The city or county office in your area should be able to provide you with the relevant information.

Copyright

The text and illustrations that appear here are the exclusive property of www.easycoops.com and are protected by federal copyright laws. The one-time use of the plans is limited to anyone who purchases them. The duplication, publication, sale or distribution of any portion of these plans without prior written consent from the original designer will be subject to the appropriate penalties for copyright infringement.

6' x 8' Chicken Run Shopping list

Lumber (4 x 4)	Pcs	4	8'
Lumber (2 x 6)	Pcs	1	8'
Lumber (2 x 4)	Pcs	21	8'
Lumber (2 x 4)	Pcs	9	6'
OSB 1/2"	Pcs	1	8'x4'
Wire Mesh (1/4")	Square Ft	300	
Door hinge (4")	Pcs	3	
Door Lock	Pcs	1	
Door Handle	Pcs	1	
Wood Screw (1")	Pcs	48	
Wood Screw (3")	Pcs	142	
Wood Screw (5")	Pcs	12	

Nesting Box Shopping List

Lumber (2 x 4)	Pcs	3	6'
Lumber (1 x 2)	Pcs	2	6'
OSB 1/2"	Pcs	1	8'x4'
Wood Screw (1")	Pcs	85	
Wood Screw (2")	Pcs	18	
Wood Screw (3")	Pcs	16	

Roosting Bars Shopping List

Lumber (2 x 4)	Pcs	6	6'
Wood Screw (3")	Pcs	14	
Wood Screw (5")	Pcs	4	

6' x 8' Chicken Run Cutting list

Coop's Back Wall Frame	Unit	Qty	Size	Note
Lumber (4 x 4)	Pcs	2	8'	Studs
Lumber (2 x 4)	Pcs	2	8'	Top/Bottom Beams
Lumber (2 x 4)	Pcs	3	8'	Studs

Coop's Side Wall Frame	Unit	Qty	Size	Note
Lumber (2 x 4)	Pcs	8	8'	Studs
Lumber (2 x 4)	Pcs	4	5'-5"	Top/Bottom Beams

Coop's Front Wall Frame	Unit	Qty	Size	Note
Lumber (4 x 4)	Pcs	2	8'	Studs
Lumber (2 x 4)	Pcs	2	8'	Top/Bottom Beams
Lumber (2 x 4)	Pcs	2	8'	Studs
Lumber (2 x 6)	Pcs	2	3'-7 3/4"	Door Header
OSB 1/2"	Pcs	1	5 1/2" x 3'-7 3/4"	Door Header
Lumber (2 x 4)	Pcs	1	1'-1/2"	Studs
Lumber (2 x 4)	Pcs	1	6'-6"	Studs

Coop's Roof Assembly	Unit	Qty	Size	Note
Lumber (2 x 4)	Pcs	3	6'	Rafter

Coop's Door Frame Assembly	Unit	Qty	Size	Note
Lumber (2 x 4)	Pcs	2	6'-5 1/2"	Door Frame
Lumber (2 x 4)	Pcs	2	3'-5 3/4"	Door Frame
Lumber (2 x 4)	Pcs	2	2'-10 3/4"	Door Frame
Lumber (2 x 4)	Pcs	4	1'-4"	Door Frame

Coop's Roosting Bars Assembly	Unit	Qty	Size	Note
Lumber (2 x 4)	Pcs	2	4'-6"	Studs
Lumber (2 x 4)	Pcs	2	5'-8 1/2"	Girts
Lumber (2 x 4)	Pcs	3	2'	Girts
Lumber (2 x 4)	Pcs	1	2'-3"	Girts

Coop's Nesting Box Assembly	Unit	Qty	Size	Note
Lumber (2 x 4)	Pcs	2	3'	Studs
Lumber (2 x 4)	Pcs	2	2'-4"	Studs
Lumber (2 x 4)	Pcs	2	8"	Beams
Lumber (2 x 4)	Pcs	2	2'-2"	Beams
OSB 1/2"	Pcs	1	2'-2"x 1'-3"	Floor Plane
Lumber (1 x 2)	Pcs	4	1'-8"	Beams
OSB 1/2"	Pcs	3	2'-1 1/2"x 1'-3"	Side wall Sheathing
Lumber (1 x 2)	Pcs	2	2'-1"	Beams
OSB 1/2"	Pcs	1	2'-5 1/2"x 2'-5"	Back Wall Sheathing
OSB 1/2"	Pcs	2	1'-1/4"x 1'-5"	Floor Plane
OSB 1/2"	Pcs	1	10 1/2"x 2'-5"	Roof Sheathing

Fasteners & Hardware	Unit	Qty	Size	Note
Wire Mesh (1/4")	Square Ft	300		
Door hinge (4")	Pcs	3		
Door Lock	Pcs	1		
Door Handle	Pcs	1		
Wood Screw (1")	Pcs	133		
Wood Screw (2")	Pcs	18		
Wood Screw (3")	Pcs	172		
Wood Screw (5")	Pcs	16		

Recommended Tools



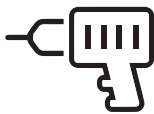
Pliers



Knife



Spirit level



Electric Screwdriver



Screwdriver



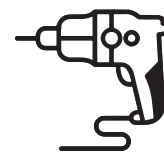
Hand Saw



Chisel



Measuring Tape



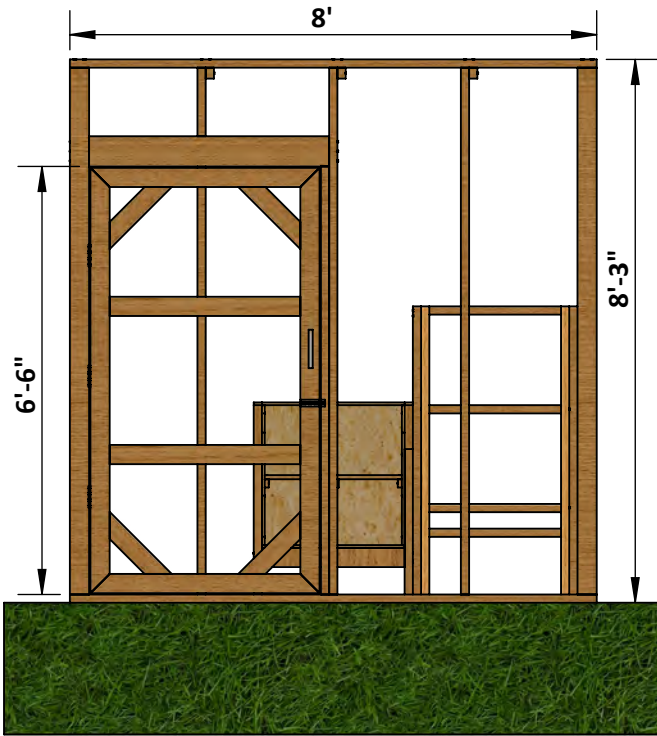
Drill



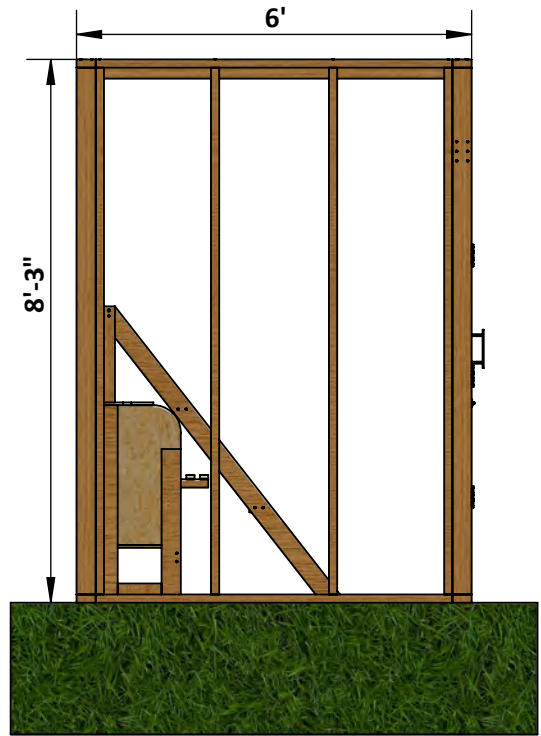
Hammer

Size & Dimensions

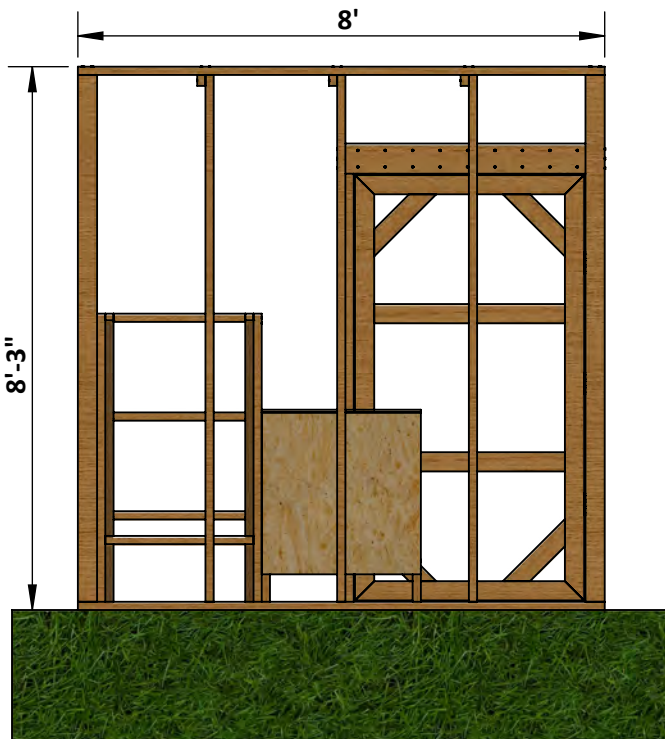
Front



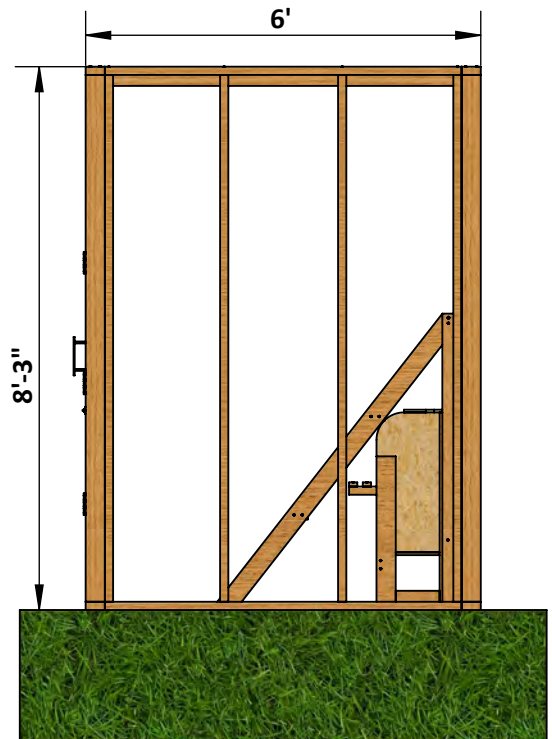
Right



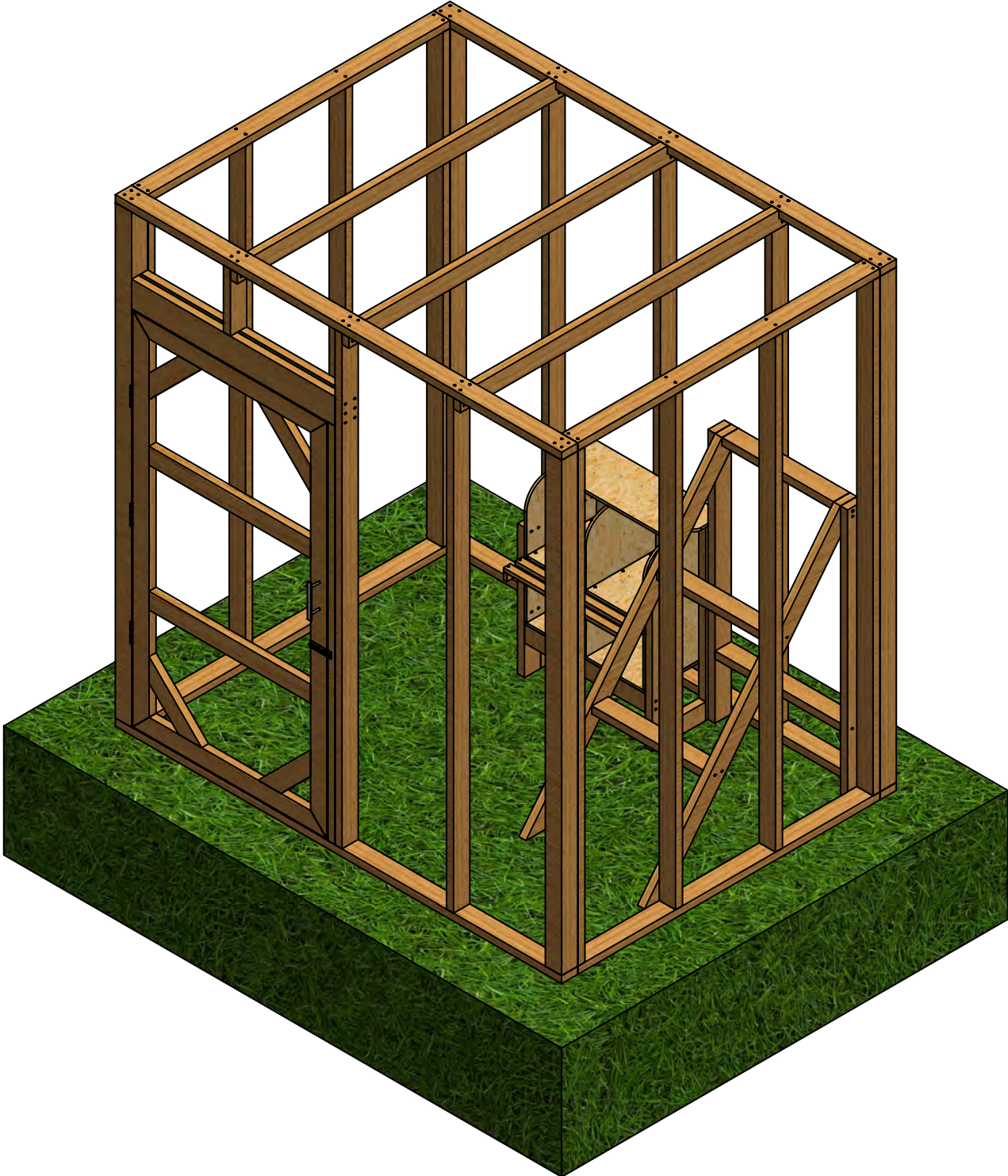
Back



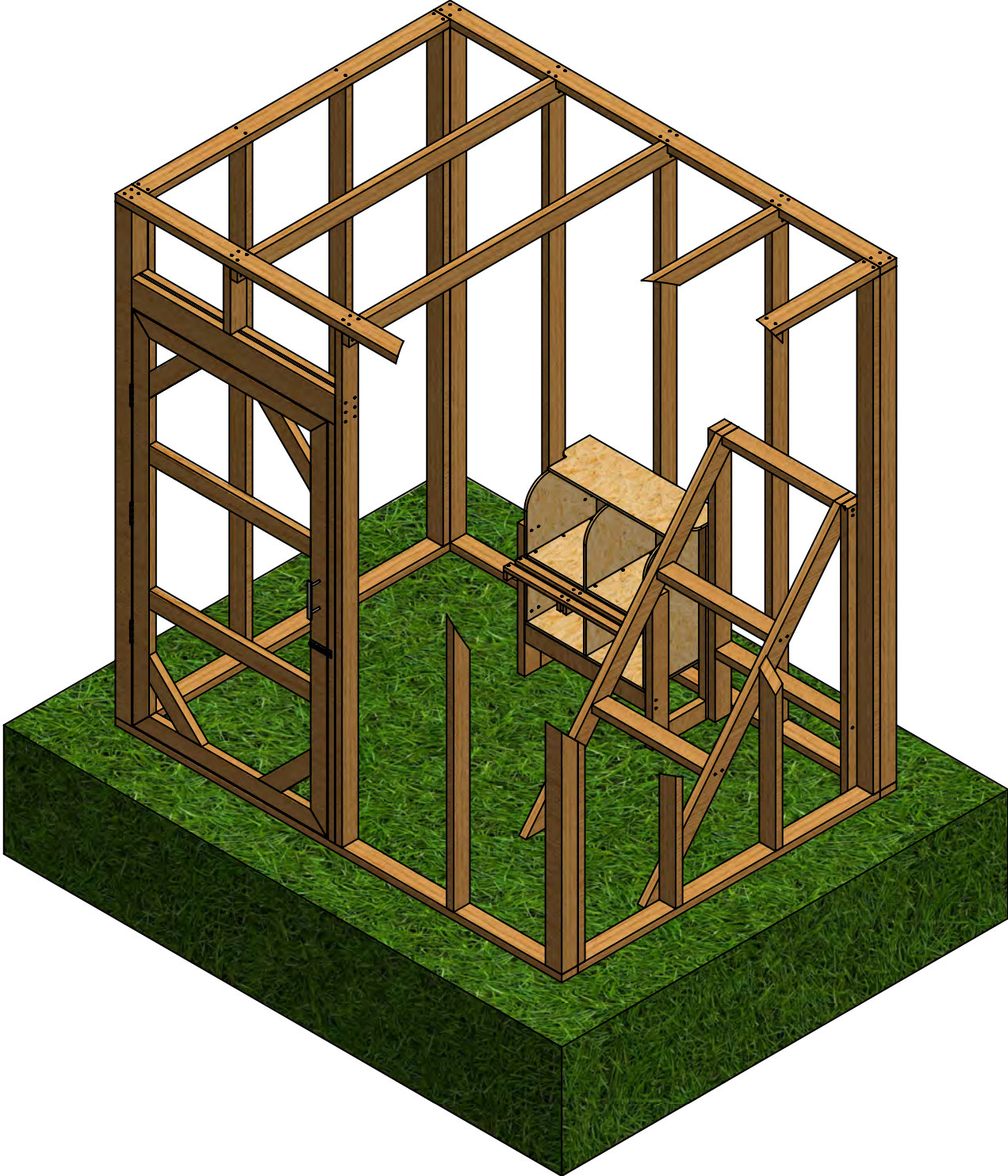
Left



Model View



Interior View



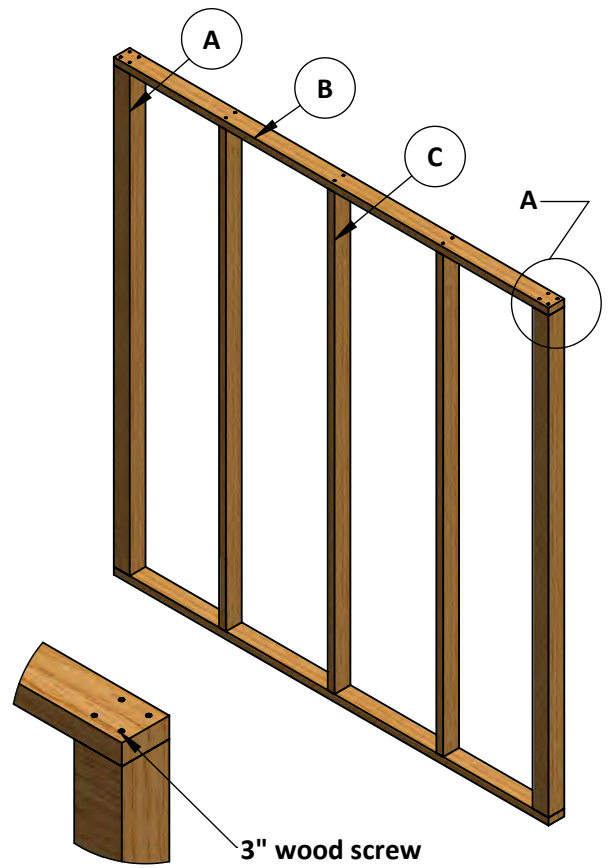
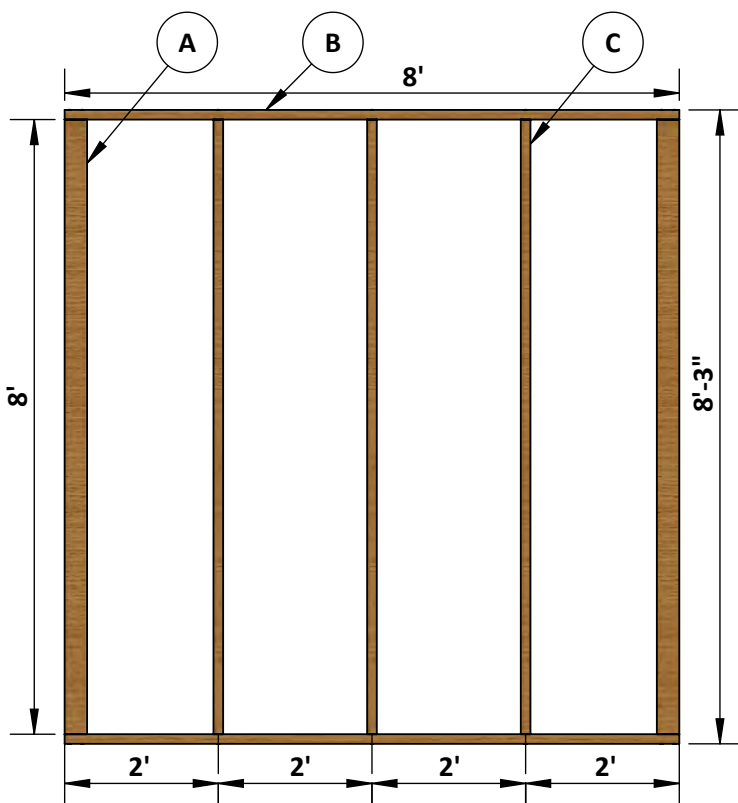
STEP 1

Back Wall Frame Assembly

1.1 Assemble the frame using 2 x 4 and 4 x 4 lumber.

1.2 Secure the beams and studs with 3" wood screws.

Pos	Description	Material	Dimension	Qty
A	Studs	4 x 4	8'	2
B	Top/Bottom Beam	2 x 4	8'	2
C	Studs	2 x 4	8'	3



DETAIL A
SCALE 1 : 10

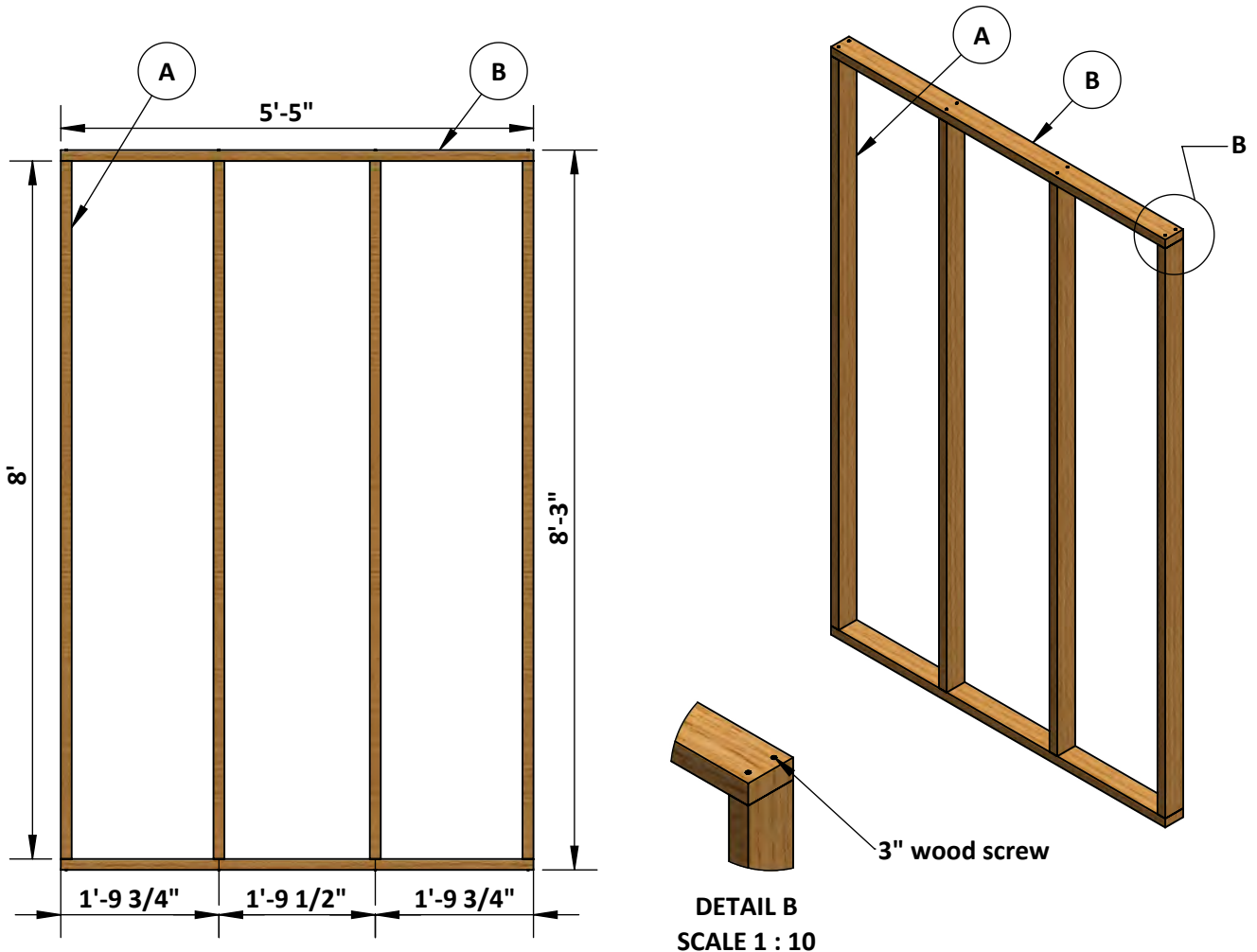
STEP 2

Side Wall Frame (Left & Right) Assembly

2.1 Assemble the frame using 2 x 4 lumber attached in Left and Right side.

2.2 Secure the beams and studs with 3" wood screws.

Pos	Description	Material	Dimension	Qty
A	Studs	2 x 4	8'	8
B	Top/Bottom Beam	2 x 4	5'-5"	4



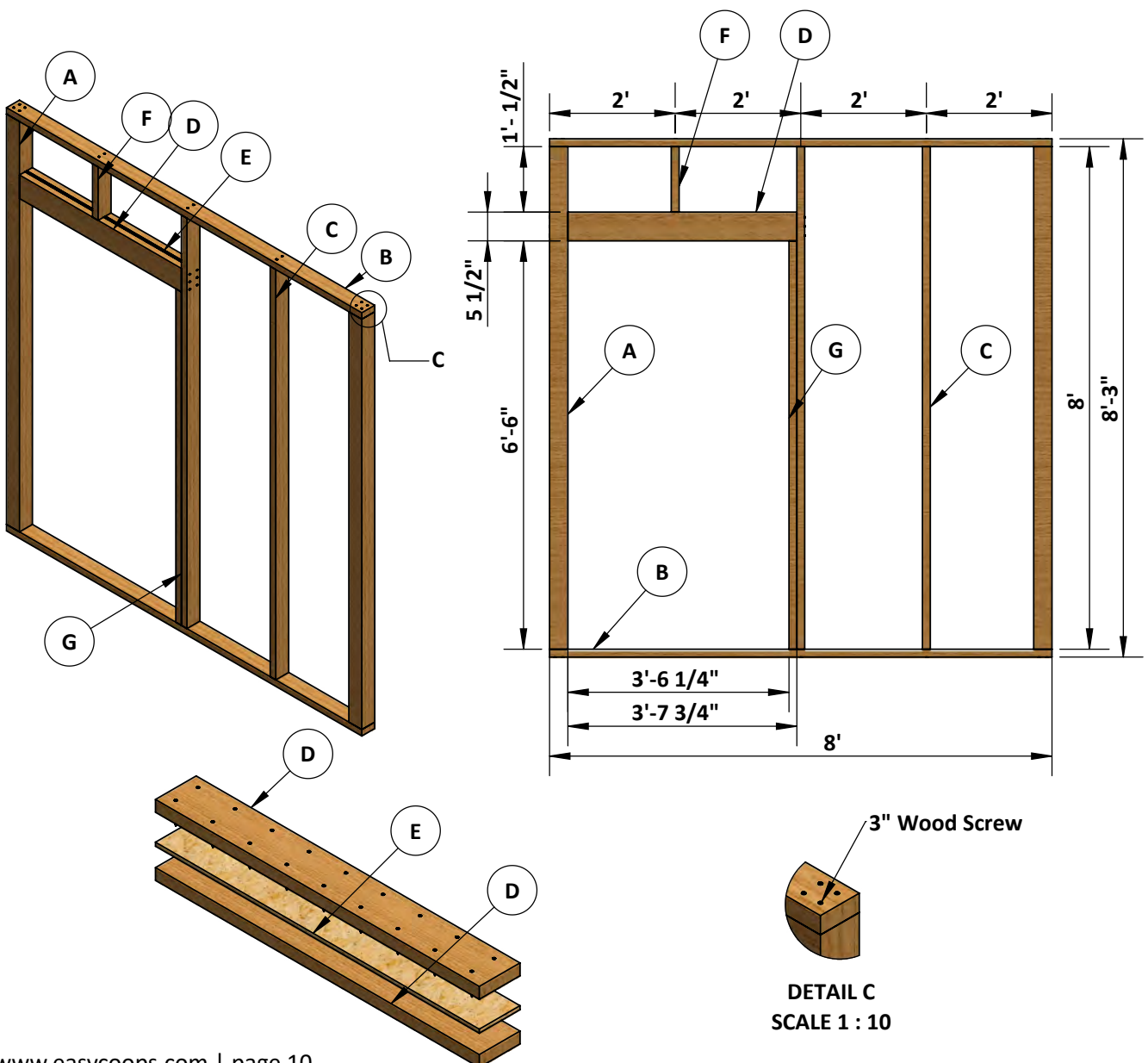
STEP 3

Front Wall Frame Assembly

3.1 Assemble the frame using 2 x 4, 2 x 6 and 4 x 4 lumber.

3.2 Secure the beams, Door Header and studs with 3" and 5" wood screws.

Pos	Description	Material	Dimension	Qty
A	Studs	4 x 4	8'	2
B	Top/Bottom Beams	2 x 4	8'	2
C	Studs	2 x 4	8'	3
D	Door Header	2 x 6	3'-7 3/4"	2
E	Door Header	OSB 1/2"	5 1/2" x 3'-7 3/4"	1
F	Stud	2 x 4	1'-1/2"	1
G	Stud	2 x 4	6'-6"	1



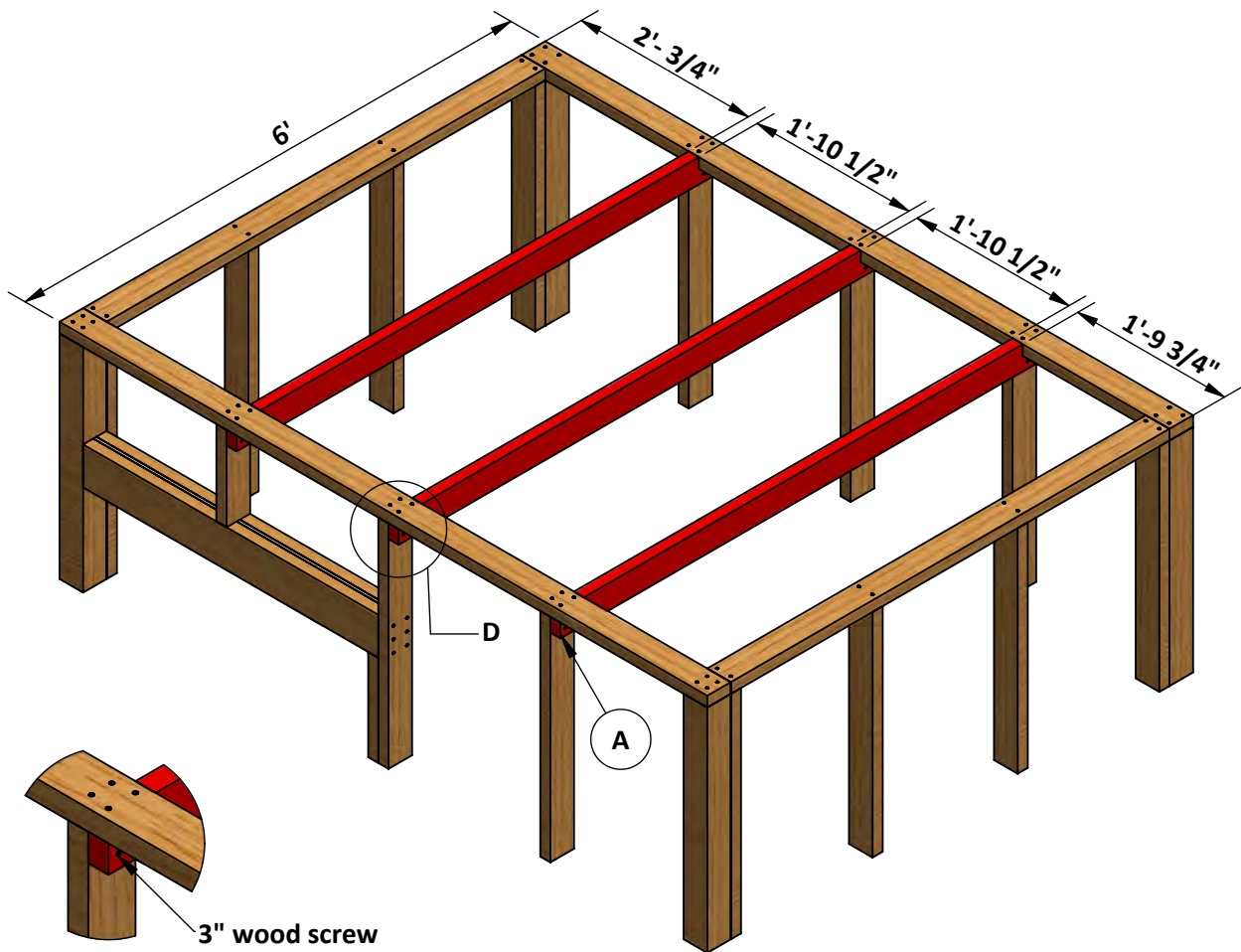
STEP 4

Roof Assembly

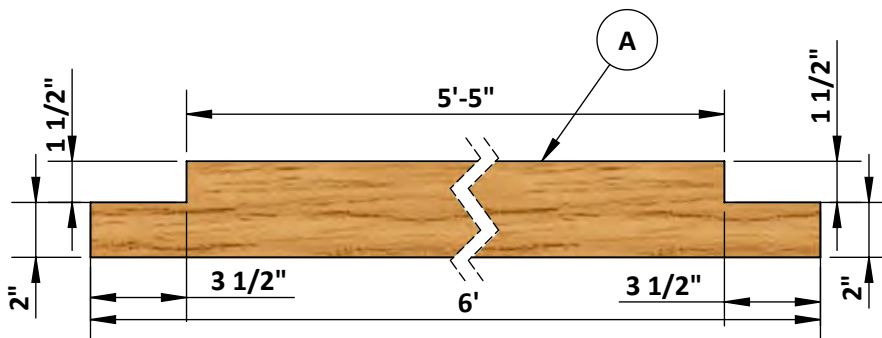
4.1 Assemble the rafters using 2 x 4 lumber.

4.2 Secure corner rafters with 3" wood screw.

Pos	Description	Material	Dimension	Qty
A	Rafter	2 x 4	6'	3



DETAIL D
SCALE 1 : 10



STEP 5

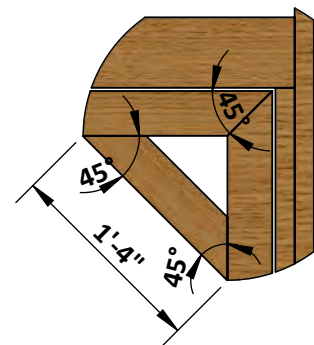
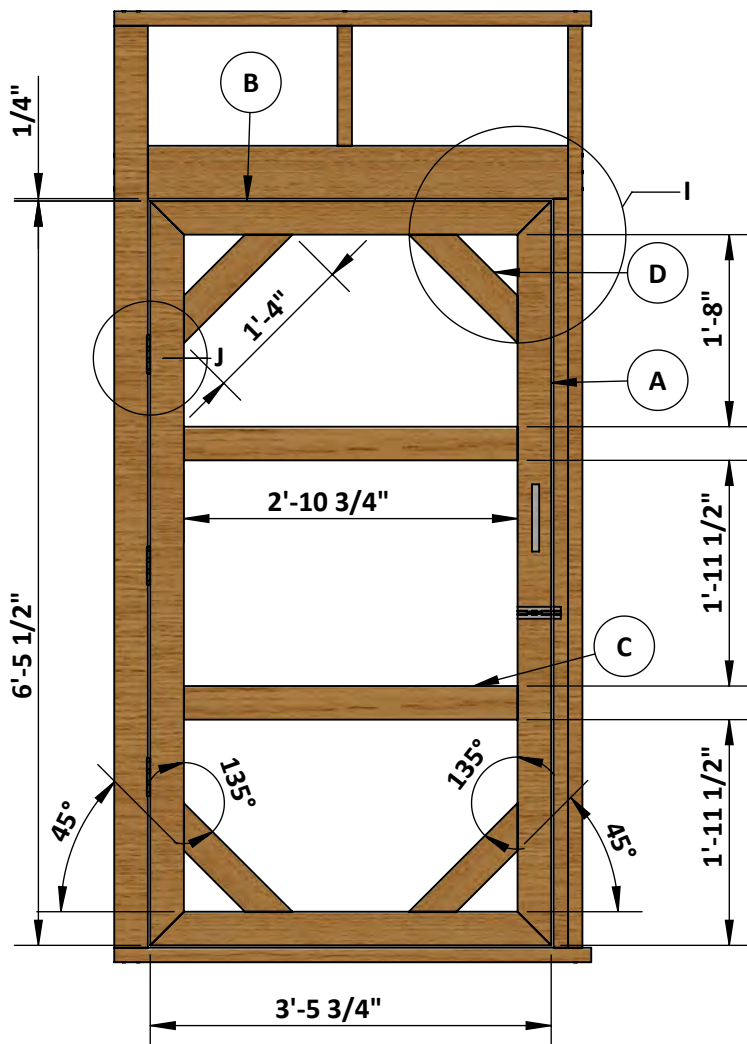
Door Assembly

5.1 Assemble the door using 2 x 4 lumber.

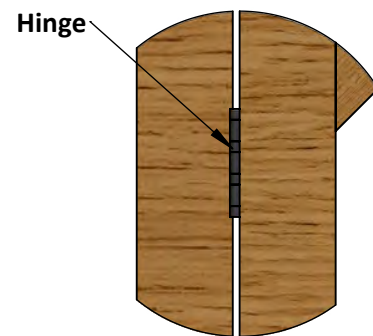
5.2 Secure all door frames with 5" wood screws.

5.3 Attach door hinges, door lock and door handle.

Pos	Description	Material	Dimension	Qty
A	Beams	2 x 4	6'-5 1/2"	2
B	Beam	2 x 4	3'-5 3/4"	2
C	Beam	2 x 4	2'-10 3/4"	2
D	Beam	2 x 4	1'-4"	4



DETAIL I
SCALE 1 : 15



DETAIL J
SCALE 1 : 7

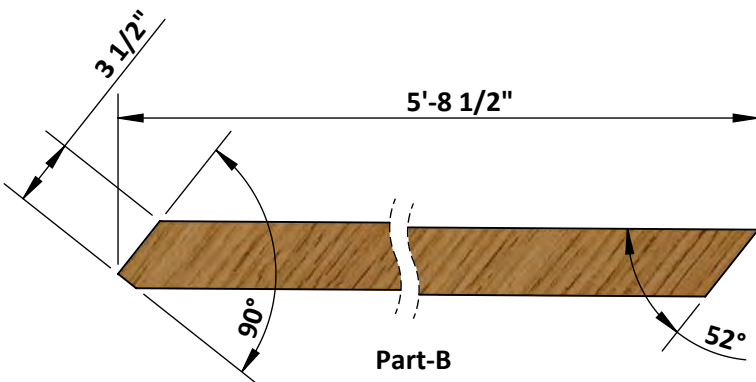
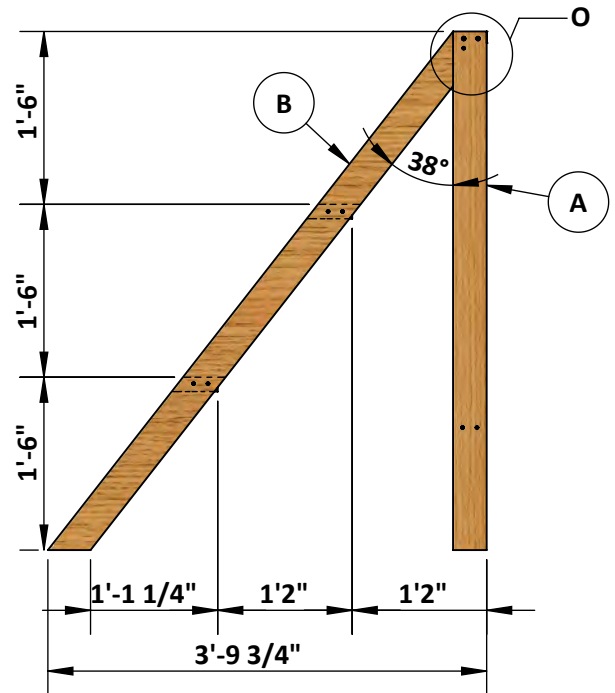
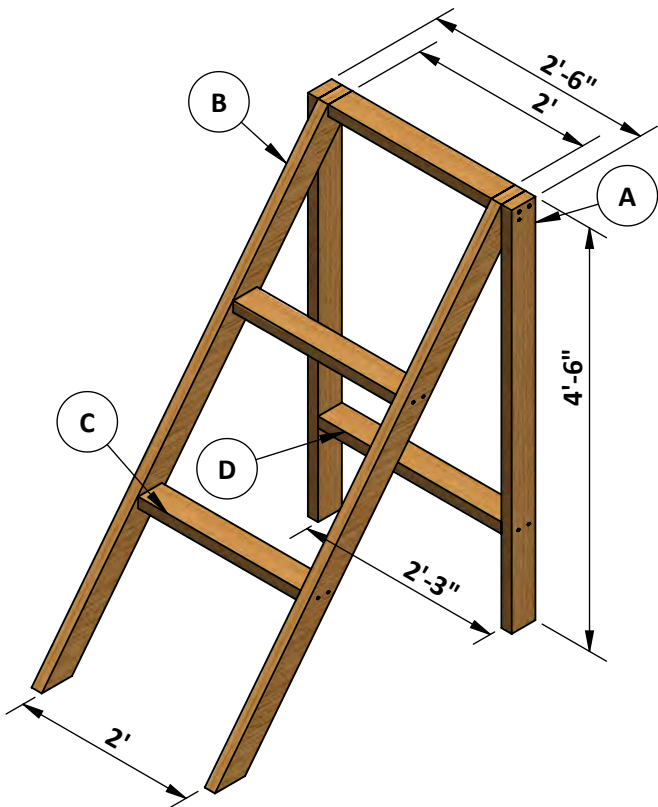
STEP 6

Movable Roosting Bars Assembly

6.1 Assemble the frames using 2 x 4 lumber.

6.2 Secure the beams with 3" and 5" wood screws.

Pos	Description	Material	Dimension	Qty
A	Studs	2 x 4	4'-6"	2
B	Girt	2 x 4	5'-8 1/2"	2
C	Girt	2 x 4	2'	3
D	Girt	2 x 4	2'-3"	1



3" Wood Screw 5" Wood Screw



DETAIL O
SCALE 1 : 10

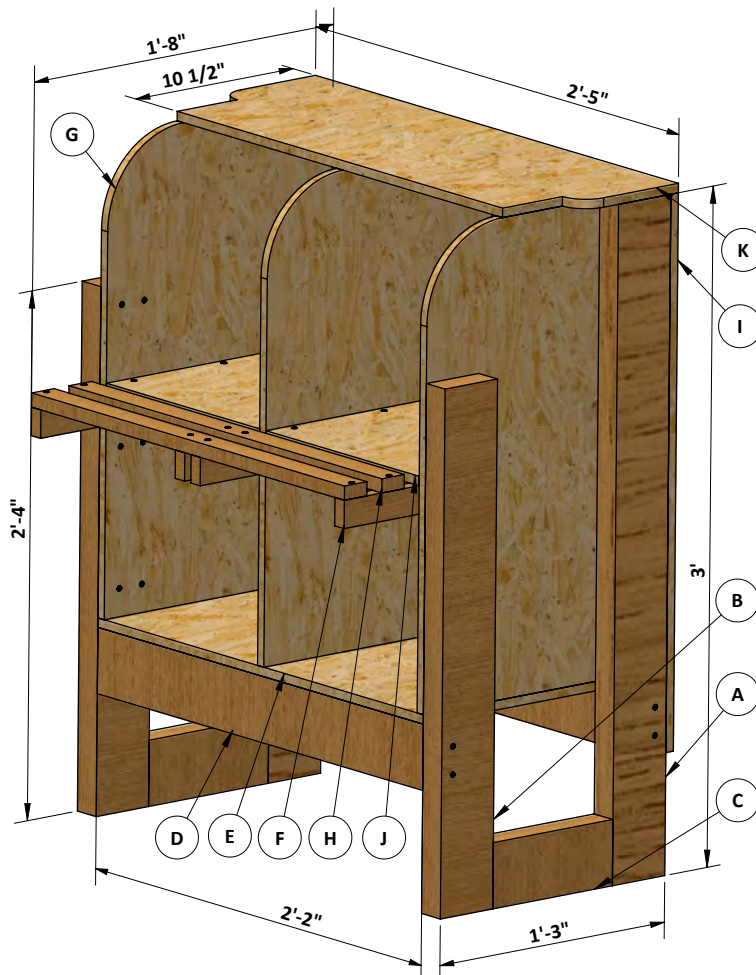
STEP 7

Nesting Box Assembly

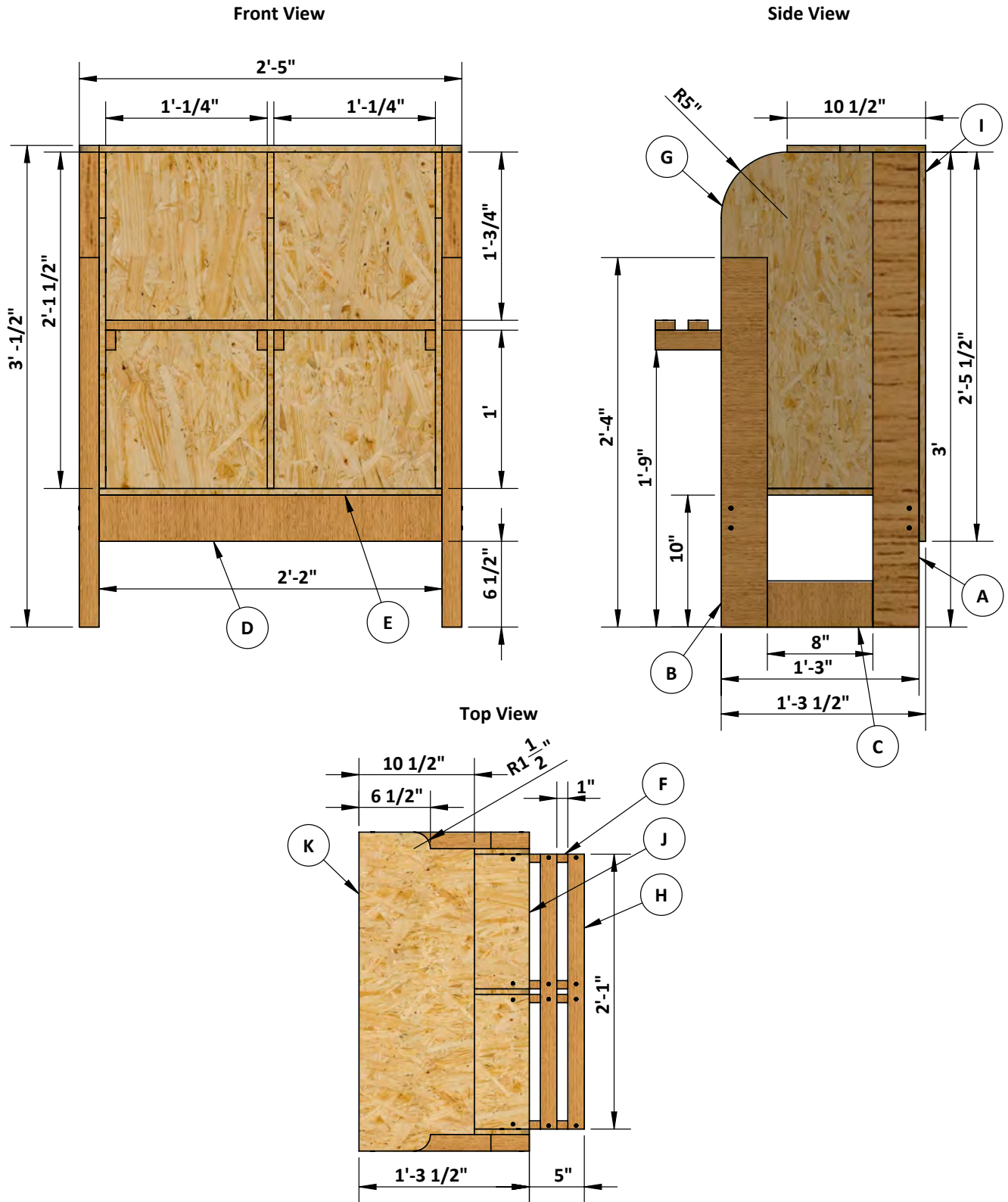
7.1 Assemble the Box using 2 x 4 lumber, 1 x 2 lumber and 1/2" OSB

7.2 Secure the beams, studs and panel with 1", 2" and 3" wood screws.

Pos	Description	Material	Dimension	Qty
A	Studs	2 x 4	2'-11"	2
B	Studs	2 x 4	2'-4"	2
C	Beams	2 x 4	8"	2
D	Beams	2 x 4	2'-2"	2
E	Floor	OSB 1/2"	2'-2" x 1'-3"	1
F	Beams	1 x 2	1'-8"	4
G	Side wall sheathing	OSB 1/2"	2'-1 1/2" x 1'-3"	3
H	Beams	1 x 2	2'-1"	2
I	Back wall sheathing	OSB 1/2"	2'-5 1/2" x 2'-5"	1
J	Floor	OSB 1/2"	1'-1/4" x 1'-5"	2
K	Roof Sheathing	OSB 1/2"	10 1/2" x 2'-5"	1



STEP 7



STEP 8

Placement of Nesting Box and Roosting bars in the Coop

8.1 Place the nesting box and the roosting bars at the suitable position in the chicken coop



STEP 9

Thank You

Now that your Chicken run is all done, you can decorate it using your favorite paint, stain, or preservative and prepare for petting chickens.





1829mm x 2438mm Chicken Coop Plan

Up to 4 chickens

Disclaimer

The information provided here will show you how to build a chicken coop.

However, www.easycoops.com does not claim that the recommended techniques are the only way to accomplish this task. It will be the responsibility of each customer to ensure the application of the correct construction methods and the use of the proper materials.

In addition to the selection of the materials, the customer will be responsible for such construction tasks as caulking, flashing, gluing, insulating, and nailing, and for adequate workmanship in the areas of installation, roofing and weatherproofing, as well as for any other skills that are beyond the control of the designer. The materials mentioned in the plans do not represent an endorsement or recommendation of any particular product.

The Responsibility of Users

Despite our commitment to presenting accurate information, www.easycoops.com is not liable for any errors or omissions appearing in the plans. Furthermore, www.easycoops.com will not be liable for any consequential, special, incidental or indirect damages resulting from the use of this information. Our freedom from liability also extends to such issues as the loss of anticipated profits or business opportunities, and economic losses stemming from the use of www.easycoops.com , regardless of whether there has been notification of such damage.

Liability

Those who utilize the methods described on www.easycoops.com will be responsible for their own actions. We are not liable for any injuries or property damage that may arise from the use of the information appearing on this website. If you decide to use these plans, you should use only quality materials and should always follow good safety practices. In the event that you are unable to complete the project on your own, you should contact a certified contractor to ensure that construction is completed in accordance with the highest standards.

Permissions

It is important to understand that planning and permission issues are dependent upon local requirements. Users of these plans are responsible for complying with the appropriate statutes and regulations, and for the proper implementation of the plans or other construction information provided by www.easycoops.com . The city or county office in your area should be able to provide you with the relevant information.

Copyright

The text and illustrations that appear here are the exclusive property of www.easycoops.com and are protected by federal copyright laws. The one-time use of the plans is limited to anyone who purchases them. The duplication, publication, sale or distribution of any portion of these plans without prior written consent from the original designer will be subject to the appropriate penalties for copyright infringement.

1829mm x 2438mm Chicken Run Shopping list

Lumber (90 x 90)	Pcs	4	2438
Lumber (38 x 140)	Pcs	1	2438
Lumber (38 x 90)	Pcs	21	2438
Lumber (38 x 90)	Pcs	9	1829
OSB 12mm	Pcs	1	2438 x 1219
Wire Mesh 6mm	Square m	22.87	
Door hinge 101mm	Pcs	3	
Door Lock	Pcs	1	
Door Handle	Pcs	1	
Wood Screw (25mm)	Pcs	48	
Wood Screw (50mm)	Pcs	142	
Wood Screw (127mm)	Pcs	12	

Nesting Box Shopping List

Lumber (38 x 90)	Pcs	3	1829
Lumber (19 x 38)	Pcs	2	1829
OSB 12mm	Pcs	1	2438 x 1219
Wood Screw (25mm)	Pcs	85	
Wood Screw (50mm)	Pcs	18	
Wood Screw (76mm)	Pcs	16	

Roosting Bars Shopping List

Lumber (38 x 90)	Pcs	6	1829
Wood Screw (76mm)	Pcs	14	
Wood Screw (127mm)	Pcs	4	

1829mm x 2438mm Chicken Run Cutting list

Coop's Back Wall Frame	Unit	Qty	Size	Note
Lumber (90 x 90)	Pcs	2	2438	Studs
Lumber (38 x 90)	Pcs	2	2438	Top/Bottom Beams
Lumber (38 x 90)	Pcs	3	2438	Studs

Coop's Side Wall Frame	Unit	Qty	Size	Note
Lumber (38 x 90)	Pcs	8	2438	Studs
Lumber (38 x 90)	Pcs	4	1651	Top/Bottom Beams

Coop's Front Wall Frame	Unit	Qty	Size	Note
Lumber (90 x 90)	Pcs	2	2438	Studs
Lumber (38 x 90)	Pcs	2	2438	Top/Bottom Beams
Lumber (38 x 90)	Pcs	2	2438	Studs
Lumber (38 x 140)	Pcs	2	1111	Door Header
OSB 12mm	Pcs	1	140 x 1111	Door Header
Lumber (38 x 90)	Pcs	1	318	Studs
Lumber (38 x 90)	Pcs	1	1981	Studs

Coop's Rafter Assembly	Unit	Qty	Size	Note
Lumber (38 x 140)	Pcs	3	1829	Rafter

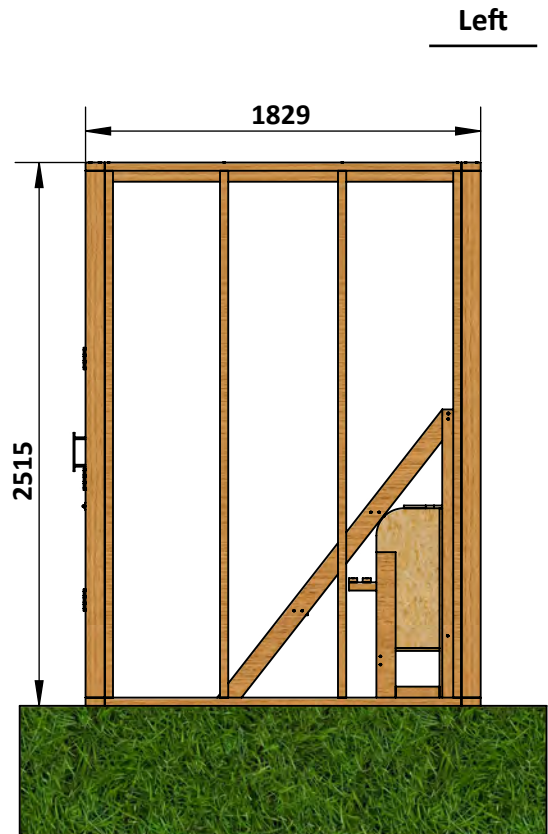
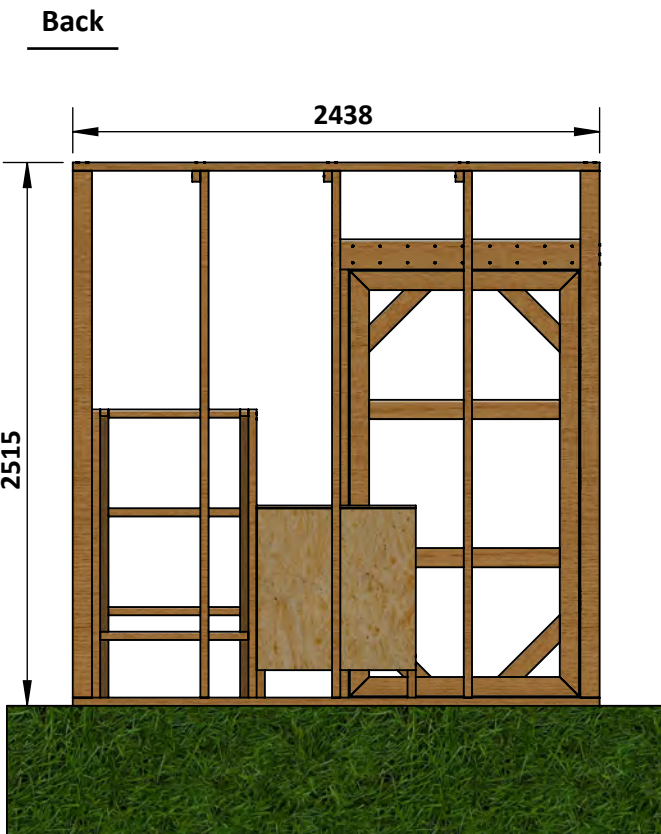
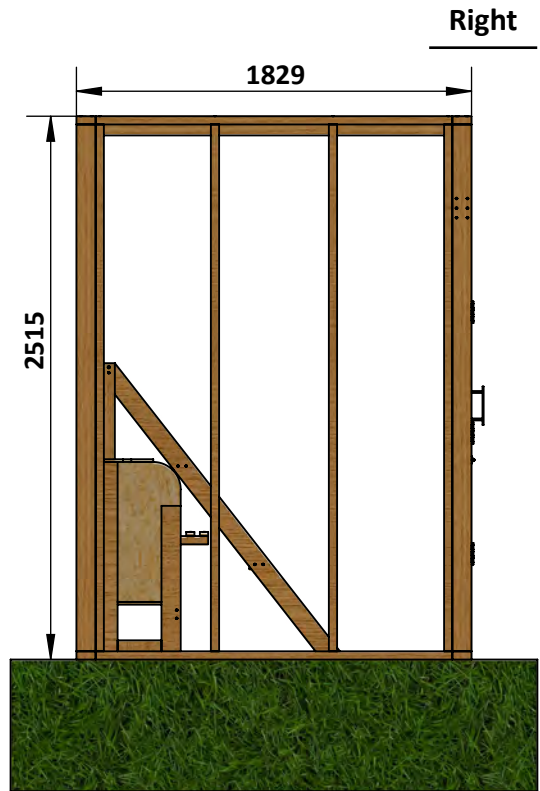
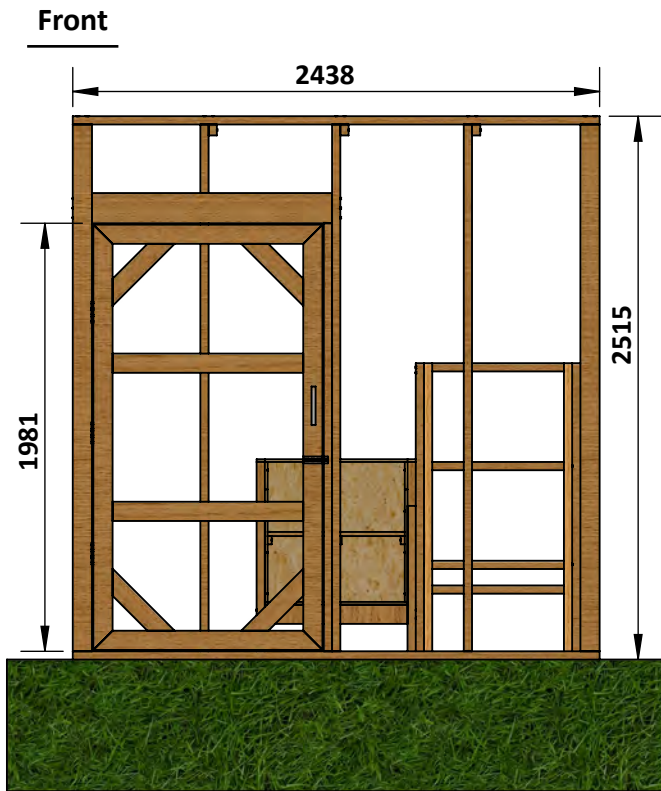
Coop's Door Frame Assembly	Unit	Qty	Size	Note
Lumber (38 x 90)	Pcs	2	1969	Door Frame
Lumber (38 x 90)	Pcs	2	1060	Door Frame
Lumber (38 x 90)	Pcs	2	883	Door Frame
Lumber (38 x 90)	Pcs	4	406	Door Frame

Coop's Roosting Bars Assembly	Unit	Qty	Size	Note
Lumber (38 x 90)	Pcs	2	1372	Studs
Lumber (38 x 90)	Pcs	2	1796	Girts
Lumber (38 x 90)	Pcs	3	610	Girts
Lumber (38 x 90)	Pcs	1	686	Girts

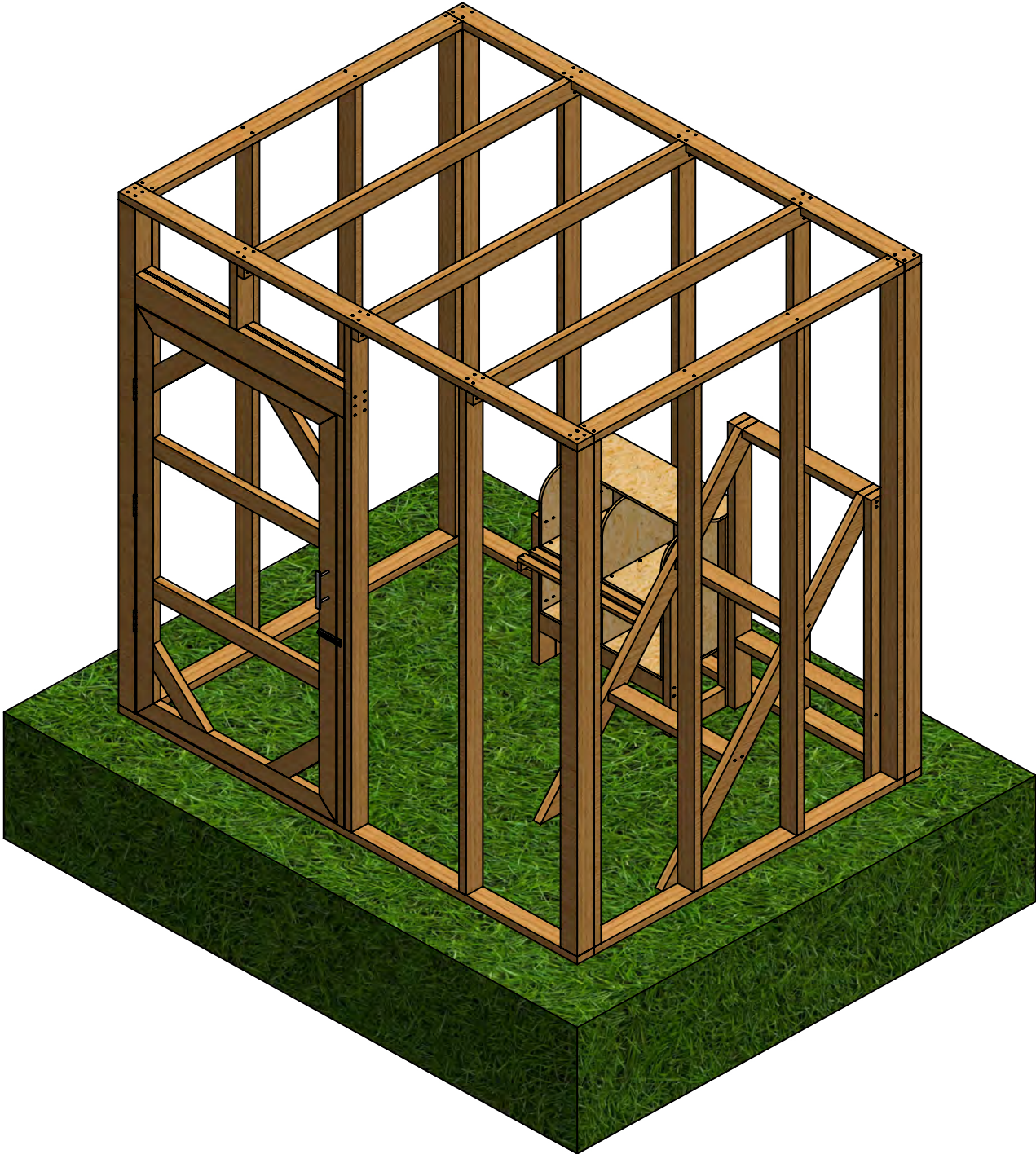
Coop's Nesting Box Assembly	Unit	Qty	Size	Note
Lumber (38 x 90)	Pcs	2	914	Studs
Lumber (38 x 90)	Pcs	2	711	Studs
Lumber (38 x 90)	Pcs	2	203	Beams
Lumber (38 x 90)	Pcs	2	660	Beams
OSB 12mm	Pcs	1	660 x 381	Floor Plane
Lumber (19 x 38)	Pcs	4	508	Beams
OSB 12mm	Pcs	3	648 x 381	Side wall Sheathing
Lumber (19 x 38)	Pcs	2	635	Beams
OSB 12mm	Pcs	1	749 x 737	Back Wall Sheathing
OSB 12mm	Pcs	2	311 x 381	Floor Plane
OSB 12mm	Pcs	1	267x 737	Roof Sheathing

Fasteners & Hardware	Unit	Qty	Size	Note
Wire Mesh (6mm)	Square m	27.87		
Door hinge (101)	Pcs	3		
Door Lock	Pcs	1		
Door Handle	Pcs	1		
Wood Screw (25mm)	Pcs	133		
Wood Screw (50mm)	Pcs	18		
Wood Screw (76mm)	Pcs	172		
Wood Screw (127mm)	Pcs	16		

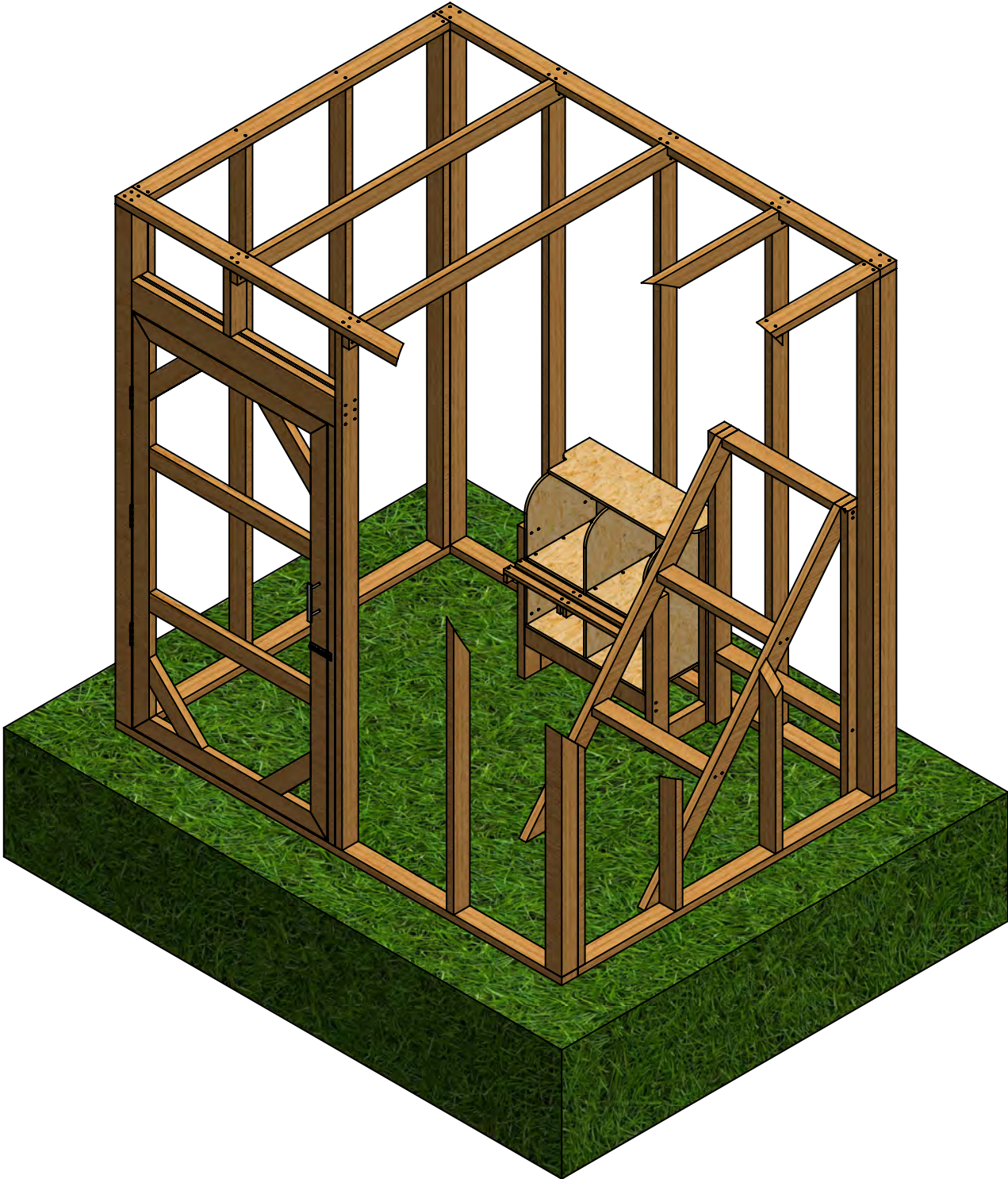
Size & Dimensions



Model View



Interior View



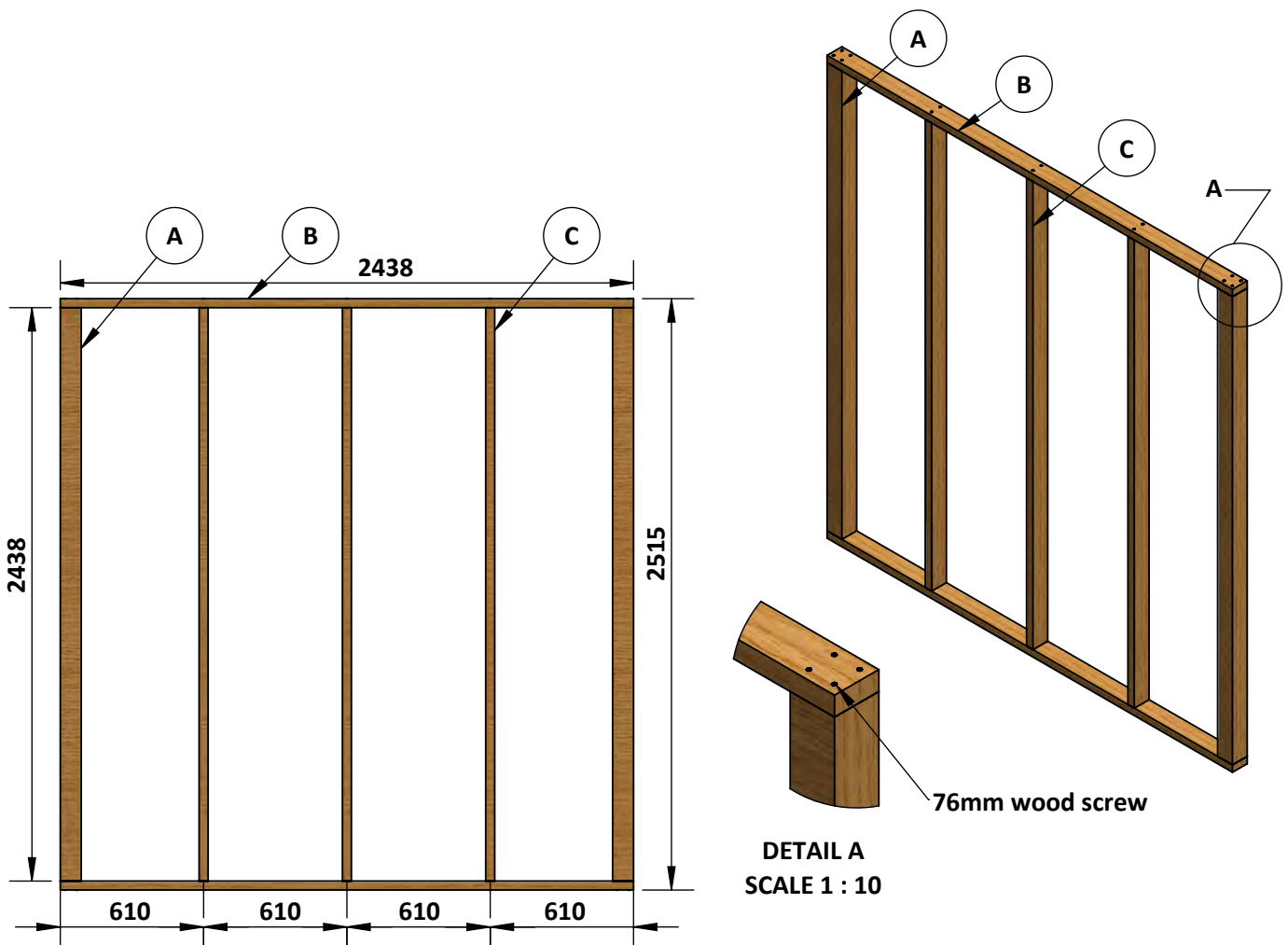
STEP 1

Back Wall Frame Assembly

1.1 Assemble the frame using 38 x 90 and 90 x 90 lumber.

1.2 Secure the beams and studs with 76mm wood screws.

Pos	Description	Material	Dimension	Qty
A	Studs	90 x 90	2438	2
B	Top/Bottom Beam	38 x 90	2438	2
C	Studs	38 x 90	2438	3



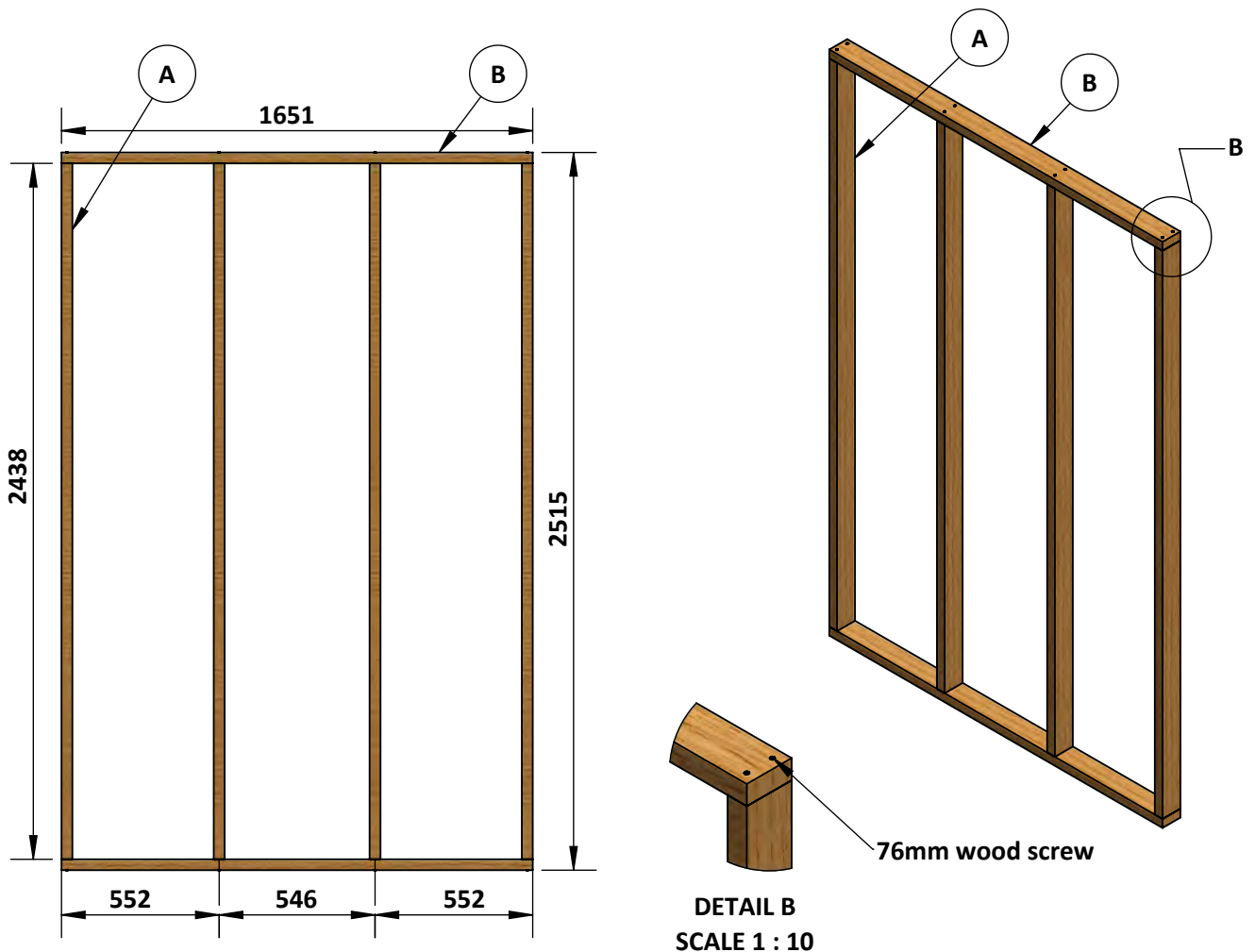
STEP 2

Side Wall Frame (Left & Right) Assembly

2.1 Assemble the frame using 38 x 90 lumber attached in Left and Right side.

2.2 Secure the beams and studs with 76mm wood screws.

Pos	Description	Material	Dimension	Qty
A	Studs	38 x 90	2438	8
B	Top/Bottom Beam	38 x 90	1651	4



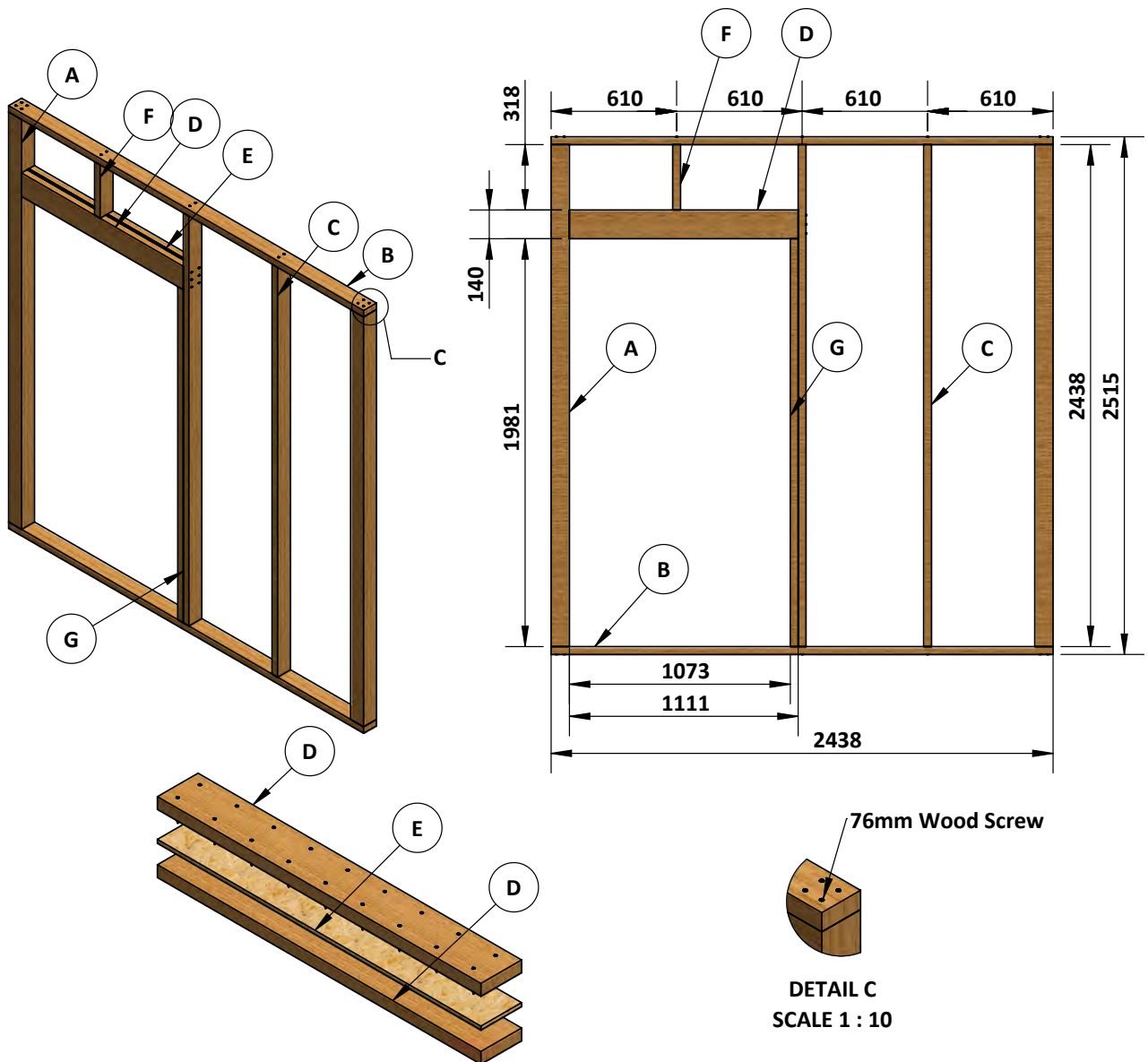
STEP 3

Front Wall Frame Assembly

3.1 Assemble the frame using 38 x 90, 38 x 140 and 90 x 90 lumber.

3.2 Secure the beams, Door Header and studs with 76mm and 127mm wood screws.

Pos	Description	Material	Dimension	Qty
A	Studs	90 x 90	2438	2
B	Top/Bottom Beams	38 x 90	2438	2
C	Studs	38 x 90	2438	2
D	Door Header	38 x 140	1111	2
E	Door Header	OSB 12mm	140 x 1111	1
F	Stud	38 x 90	318	1
G	Stud	38 x 90	1981	1



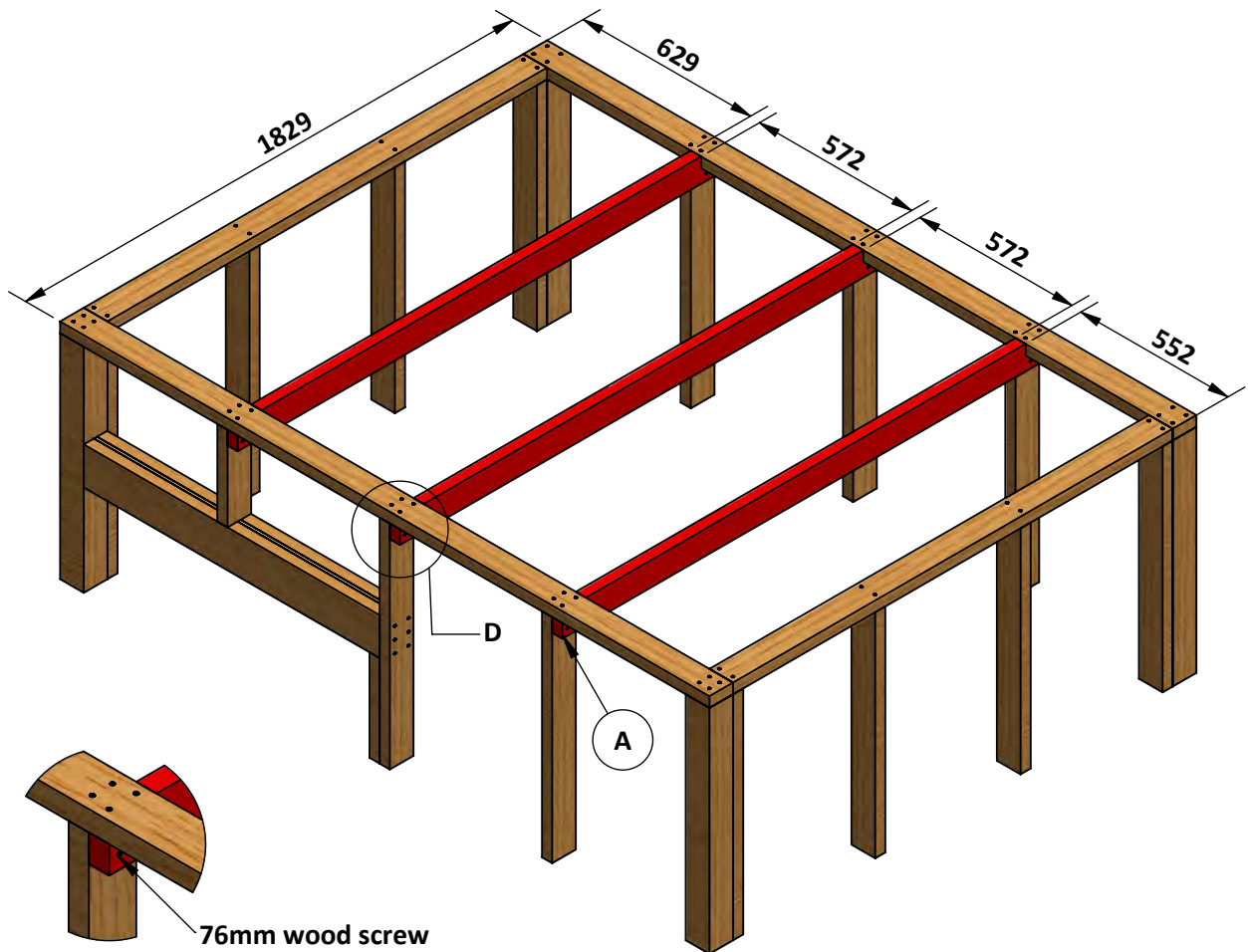
STEP 4

Roof Assembly

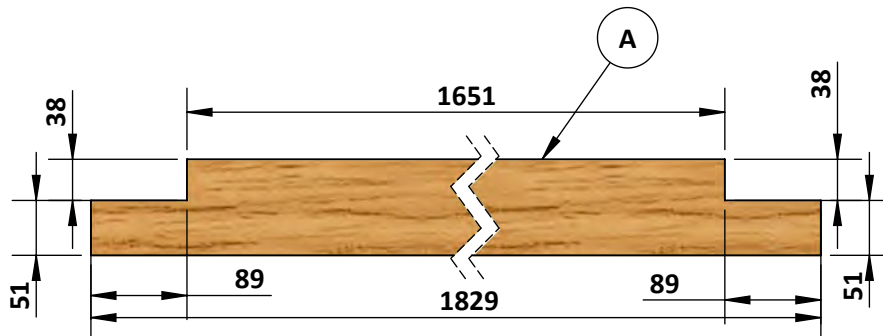
4.1 Assemble the rafters using 38 x 90 lumber.

4.2 Secure corner rafters with 76mm wood screw.

Pos	Description	Material	Dimension	Qty
A	Rafter	38 x 90	1829	3



DETAIL D
SCALE 1 : 10



STEP 5

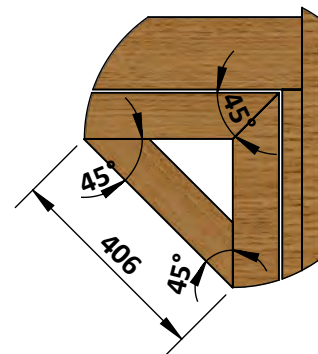
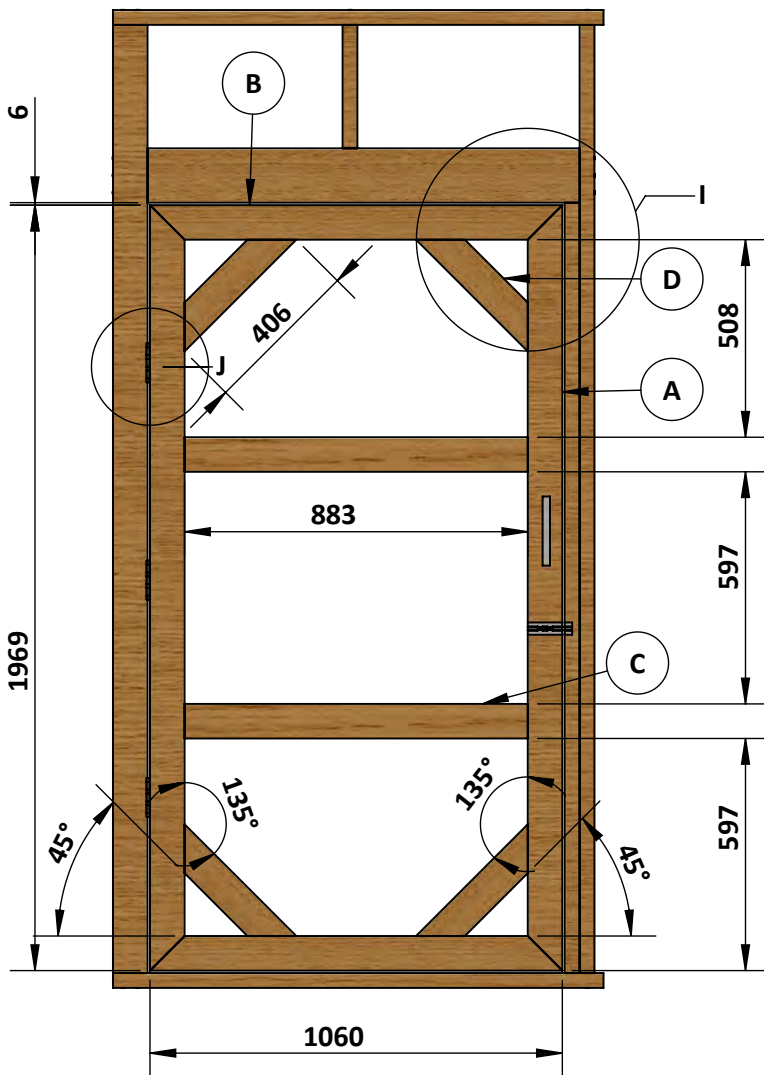
Door Assembly

5.1 Assemble the door using 38 x 90 lumber.

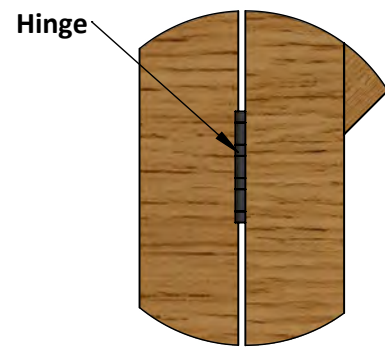
5.2 Secure all door frames with 127mm wood screws.

5.3 Attach door hinges, door lock and door handle.

Pos	Description	Material	Dimension	Qty
A	Beams	38 x 90	1969	2
B	Beam	38 x 90	1060	2
C	Beam	38 x 90	883	2
D	Beam	38 x 90	406	4



DETAIL I
SCALE 1 : 15



DETAIL J
SCALE 1 : 7

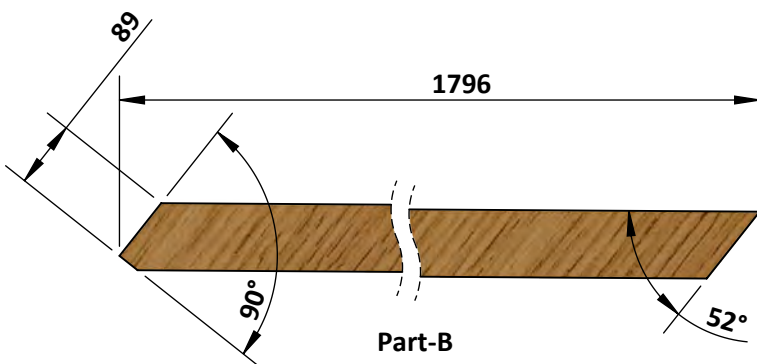
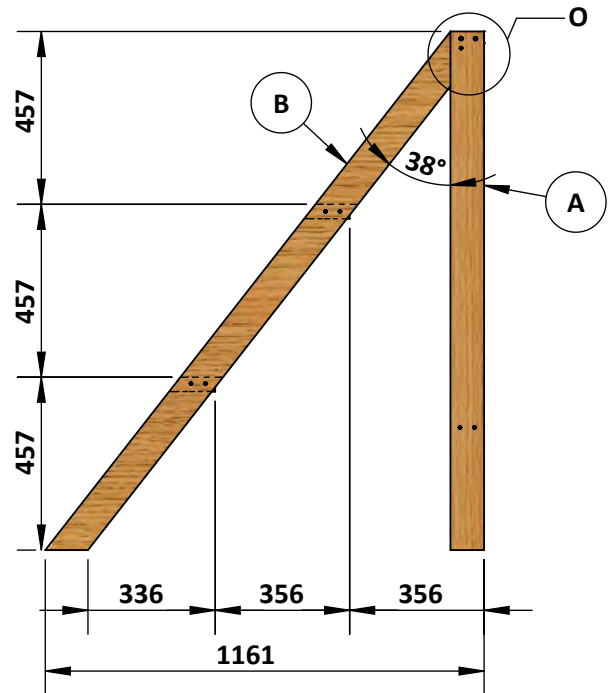
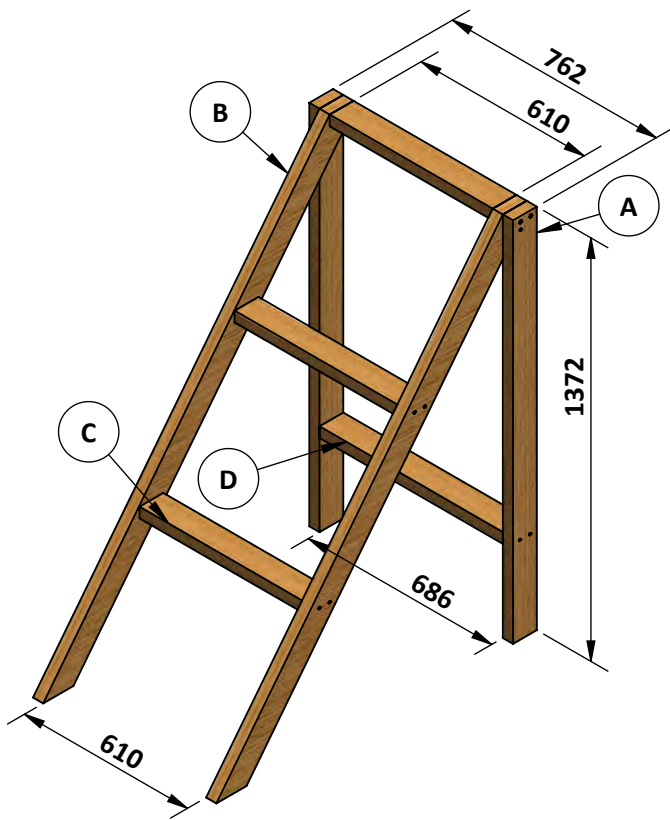
STEP 6

Movable Roosting Bars Assembly

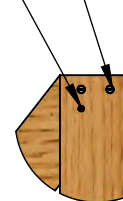
6.1 Assemble the frames using 38 x 90 lumber.

6.2 Secure the beams with 76mm and 127mm wood screws.

Pos	Description	Material	Dimension	Qty
A	Studs	38 x 90	1372	2
B	Girt	38 x 90	1796	2
C	Girt	38 x 90	610	3
D	Girt	38 x 90	686	1



76mm Wood Screw 127mm Wood Screw



DETAIL O
SCALE 1 : 10

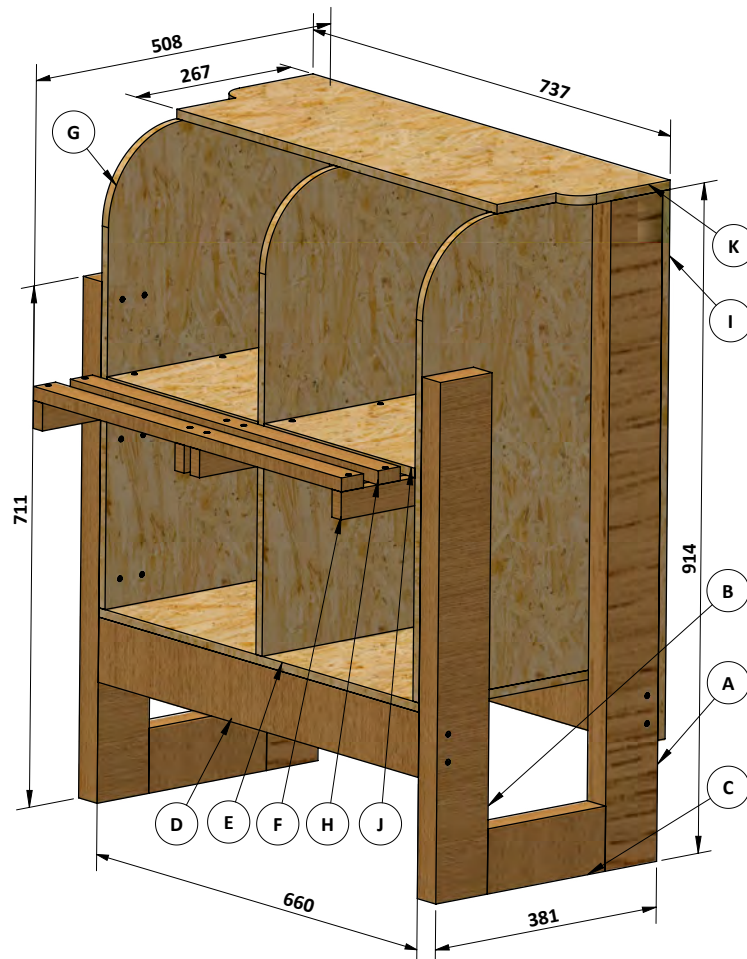
STEP 7

Nesting Box Assembly

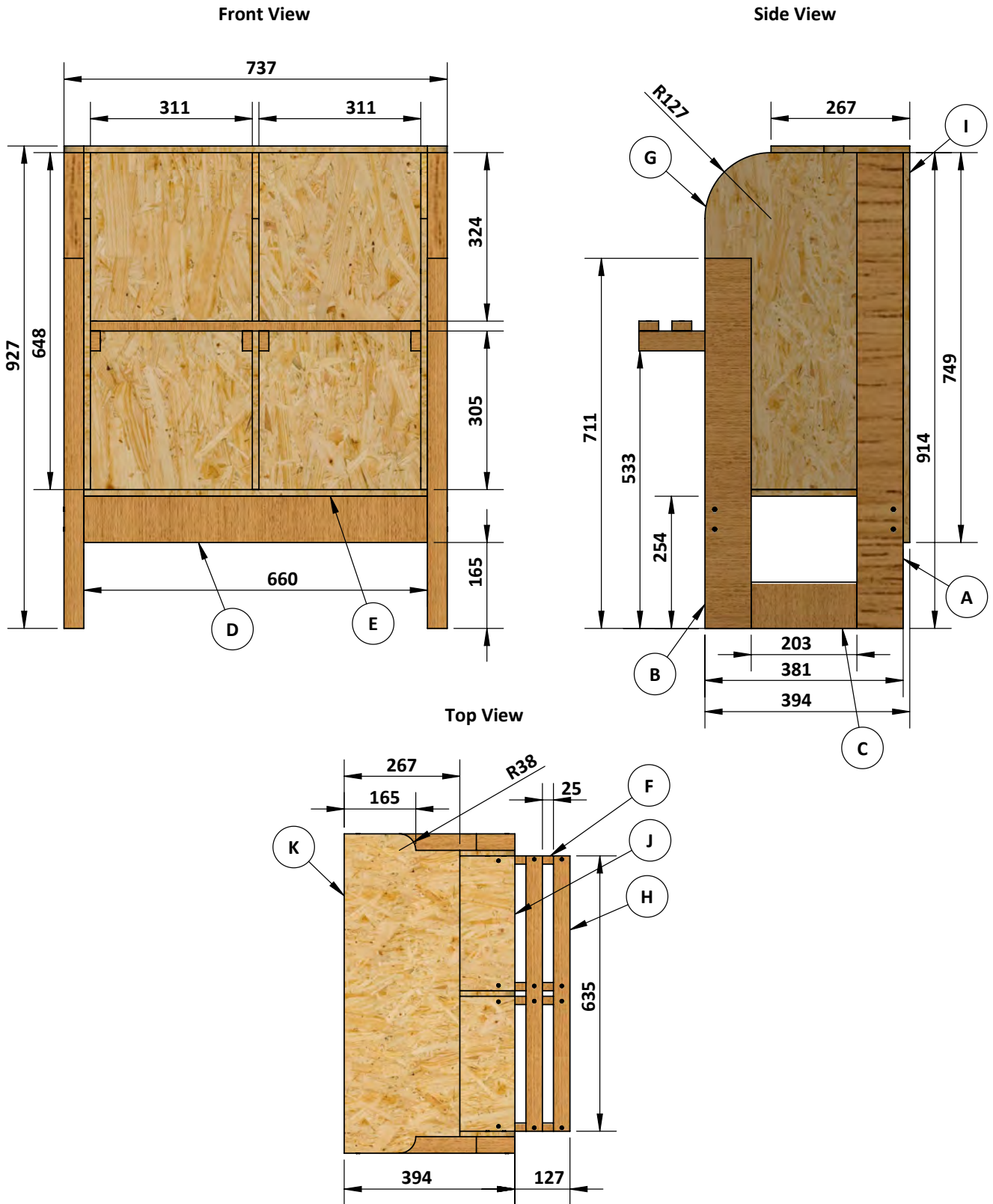
7.1 Assemble the Box using 38 x 90 lumber, 19 x 38 lumber and 12mm OSB

7.2 Secure the beams, studs and panel with 25mm,50mm and 76mm wood screws.

Pos	Description	Material	Dimension	Qty
A	Studs	38 x 90	914	2
B	Studs	38 x 90	711	2
C	Beams	38 x 90	203	2
D	Beams	38 x 90	660	2
E	Floor	OSB 12mm	660 x 381	1
F	Beams	19 x 38	508	4
G	Side wall sheathing	OSB 12mm	648 x 381	3
H	Beams	19 x 38	635	2
I	Back wall sheathing	OSB 12mm	749 x 737	1
J	Floor	OSB 12mm	311 x 381	2
K	Roof Sheathing	OSB 12mm	267x 737	1



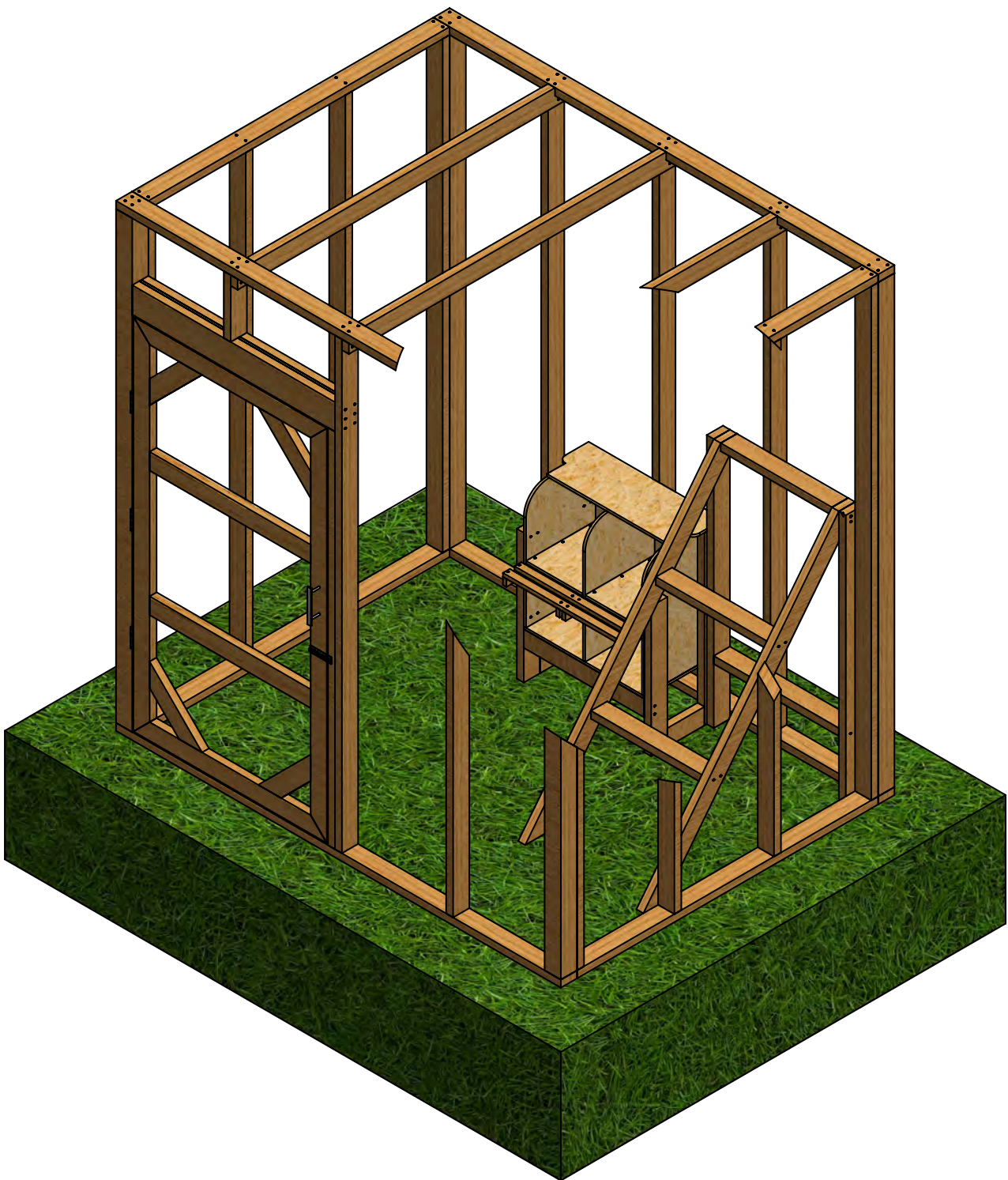
STEP 7



STEP 8

Placement of Nesting Box and Roosting bars in the Coop

8.1 Place the nesting box and the roosting bars at the suitable position in the chicken coop



STEP 9

Thank You

Now that your Chicken run is all done, you can decorate it using your favorite paint, stain, or preservative and prepare for petting chickens.

