



# 4'x4' Chicken Coop Plan

Up to 6 chickens



## Compare Free vs. Premium plan

|                                  | Free plan | Premium edition |
|----------------------------------|-----------|-----------------|
| Pages                            | 18        | 33              |
| Illustrations for Each Step      | ✓         | ✓               |
| Print Ready                      | ✓         | ✓               |
| Step By Step Instructions        | ✓         | ✓               |
| Full Materials and Cuttings List | ✗         | ✓               |
| Additional Illustrations         | ✗         | ✓               |
| Additional Blueprints            | ✗         | ✓               |
| Tools List                       | ✗         | ✓               |
| Fastening Elements List          | ✗         | ✓               |
| Technical Support                | ✗         | ✓               |

[TRY PREMIUM](#)

# 4'x4' chicken coop material list

## Site Preparation

- Concrete
- Bricks

## Bottom Frame

- Pressure-Treated Lumber
- Plywood

## Walls Frames

- Pressure-Treated Lumber

## Shed's Roof

- Pressure-Treated Lumber
- Pressure-Treated Board
- Plywood
- Building paper
- Asphalt shingles
- Metal drip edge

## Front/Side Shed's Window

- Pressure-Treated Lumber
- Window beading
- Glass

## Walls Exterior Siding

- Pressure-Treated Lumber
- Wood siding boards

## Top Frame

- Pressure-Treated Lumber

## Fasteners & Hardware

- Corner braces
- Galvanized nails
- Wood screws

## STEP 1

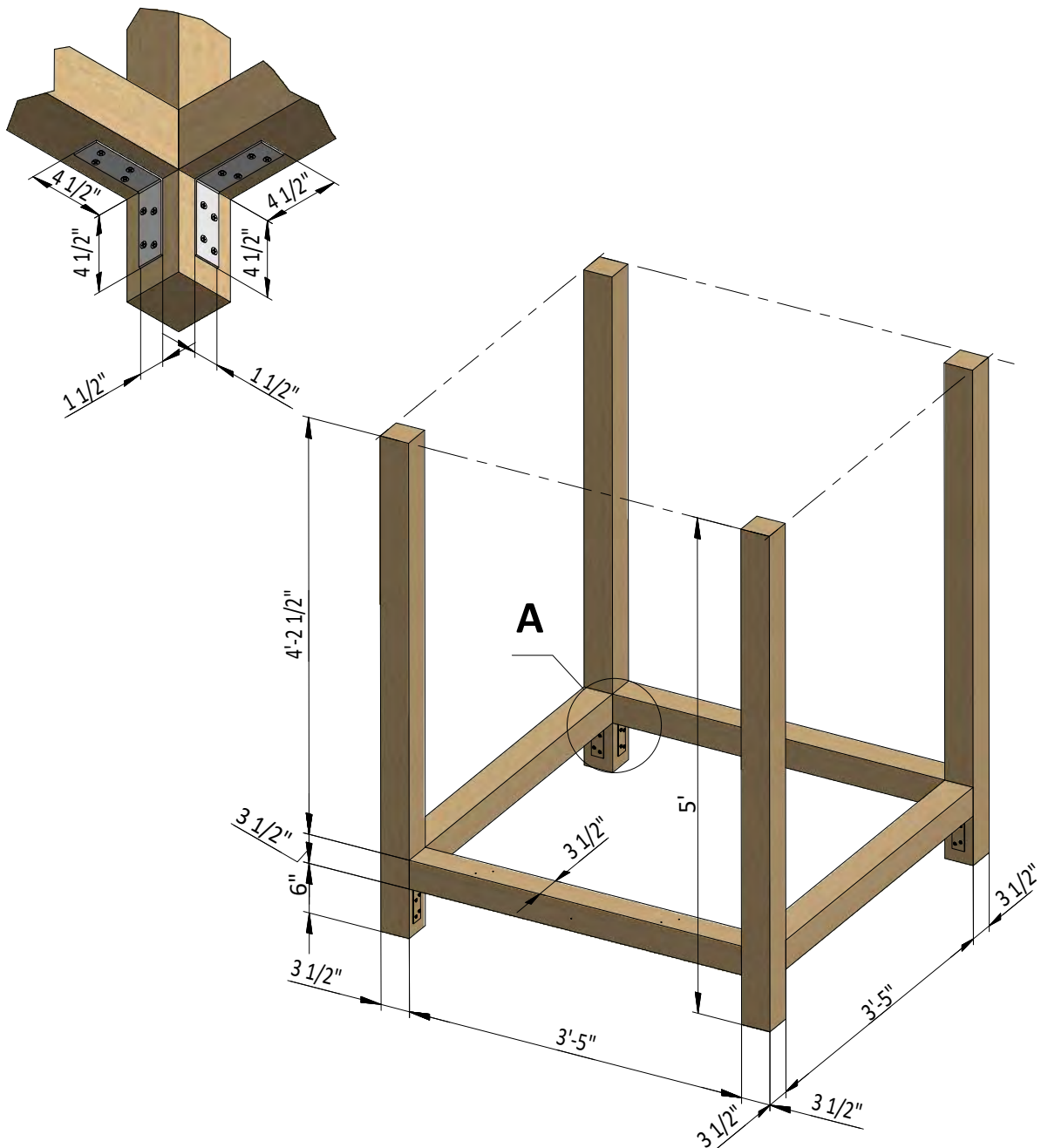
### Assemble The Bottom Frame

1.1 Using 3 1/2" x 3 1/2" pressure-treated material, cut four studs and four rim joist and assemble using the illustrations below as a reference.

1.2 Use 4 1/2 " x 4 1/2 " x 1/2 " L-brackets and 1" wood screws to secure the corners.

1.3 Make sure the corners are 90 degrees using a carpenter's square or speed square.

**A** (1:8)

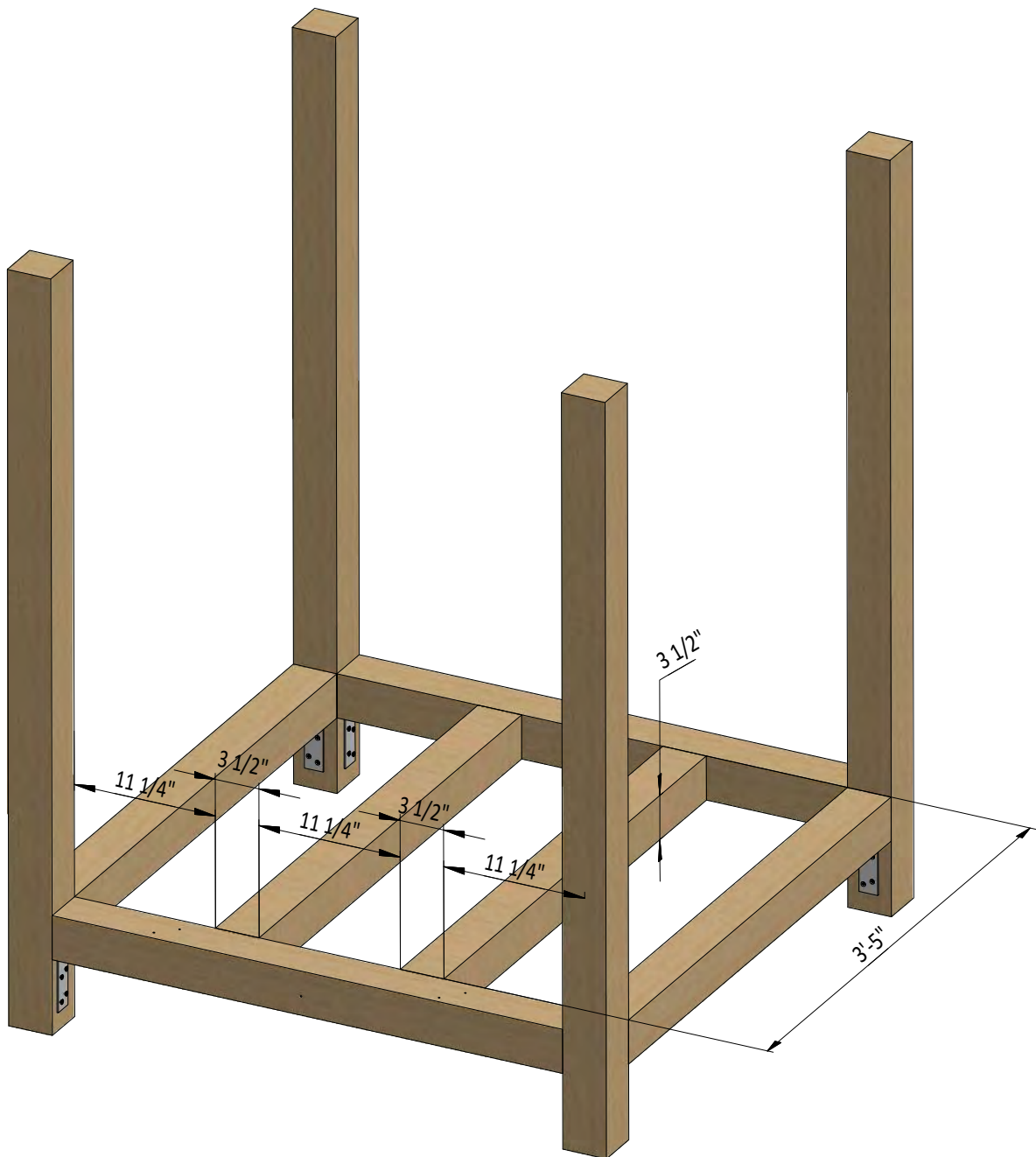


## STEP 2

### Framing The Floor

2.1 Using 3 1/2 " x 3 1/2 " pressure-treated material, cut two joist using the illustration below as a reference.

2.2 Secure the joists to the bottom frame with 4x5" wood screws.

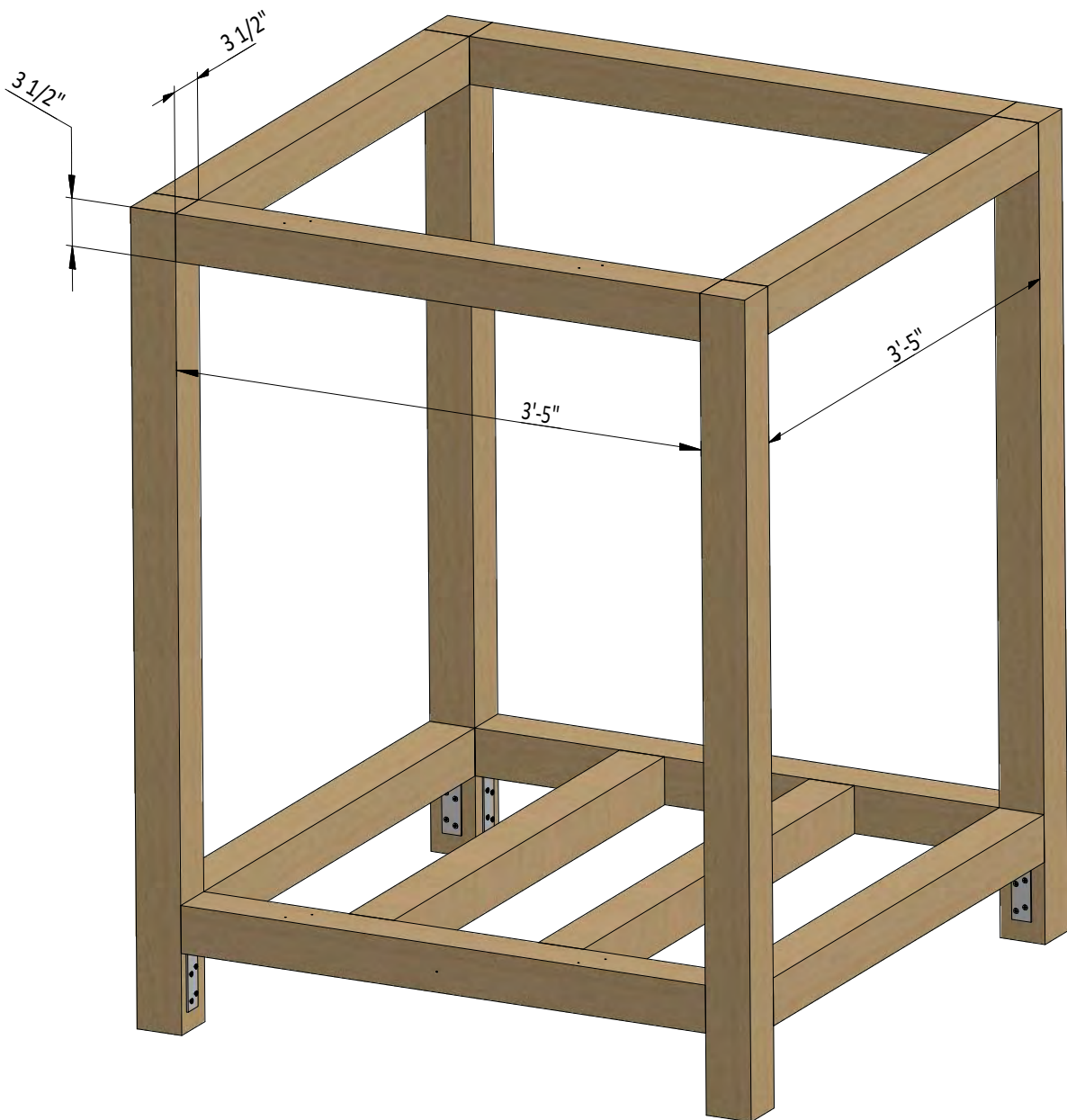


## STEP 3

### Framing The Top

3.1 Using 3 1/2 " x 3 1/2 " pressure-treated material, cut four girts and attach them using the illustration below as a reference.

3.2 Secure the girts to the studs with 4x5" wood screws.

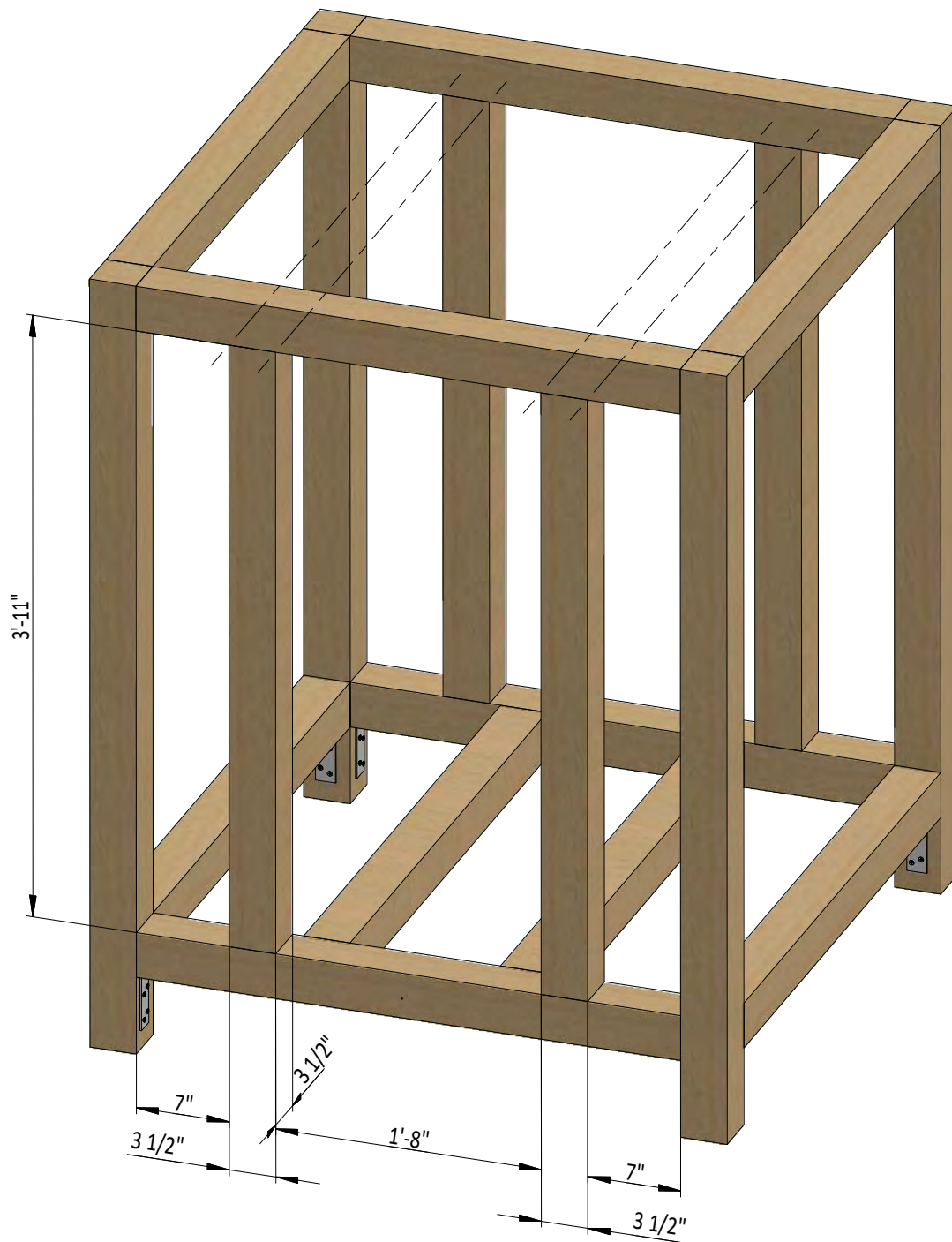


## STEP 4

### Framing The Front And Back Walls

4.1 Using 3 1/2 " x 3 1/2 " pressure-treated material, cut four studs and attach them using the illustration below as a reference.

4.2 Secure the girts to the studs with 4x5" wood screws.

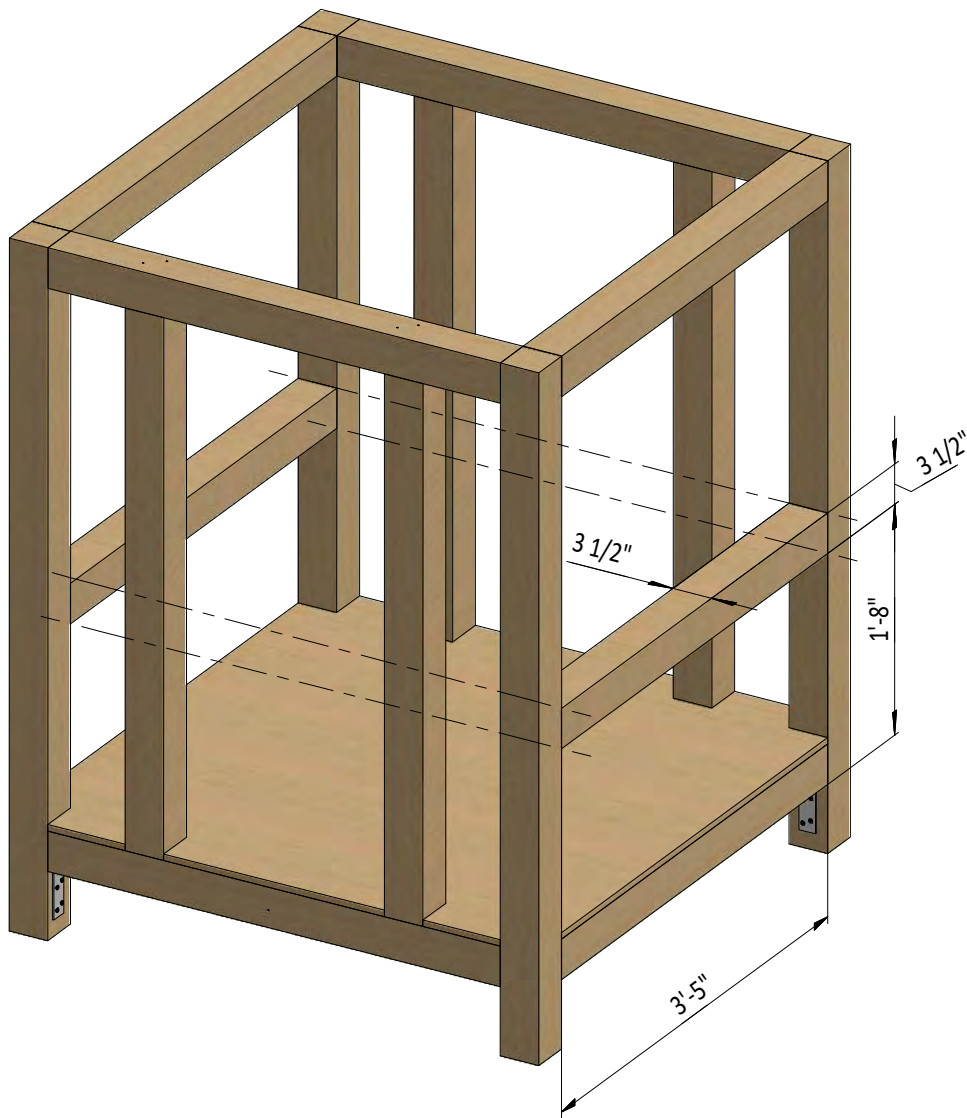


## STEP 5

### Framing The Side Walls

5.1 Using 3 1/2 " x 3 1/2 " pressure-treated material, cut two girts and attach them using the illustration below as a reference.

5.2 Secure the girts to the studs with 4x5" wood screws.



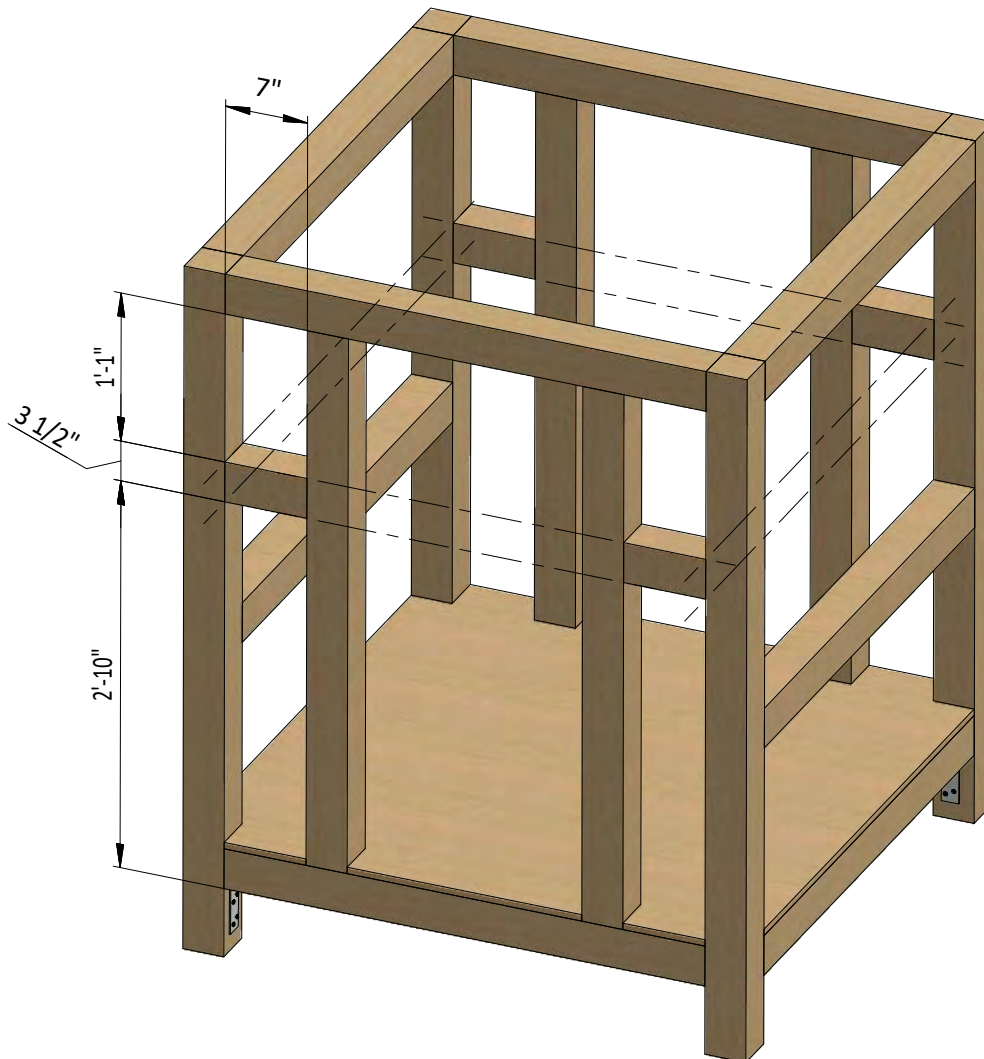


## STEP 6

### Framing The Front And Back Walls

6.1 Using 3 1/2 " x 3 1/2 " pressure-treated material, cut four girts and attach them using the illustration below as a reference.

6.2 Secure the girts to the studs with 4x5" wood screws.

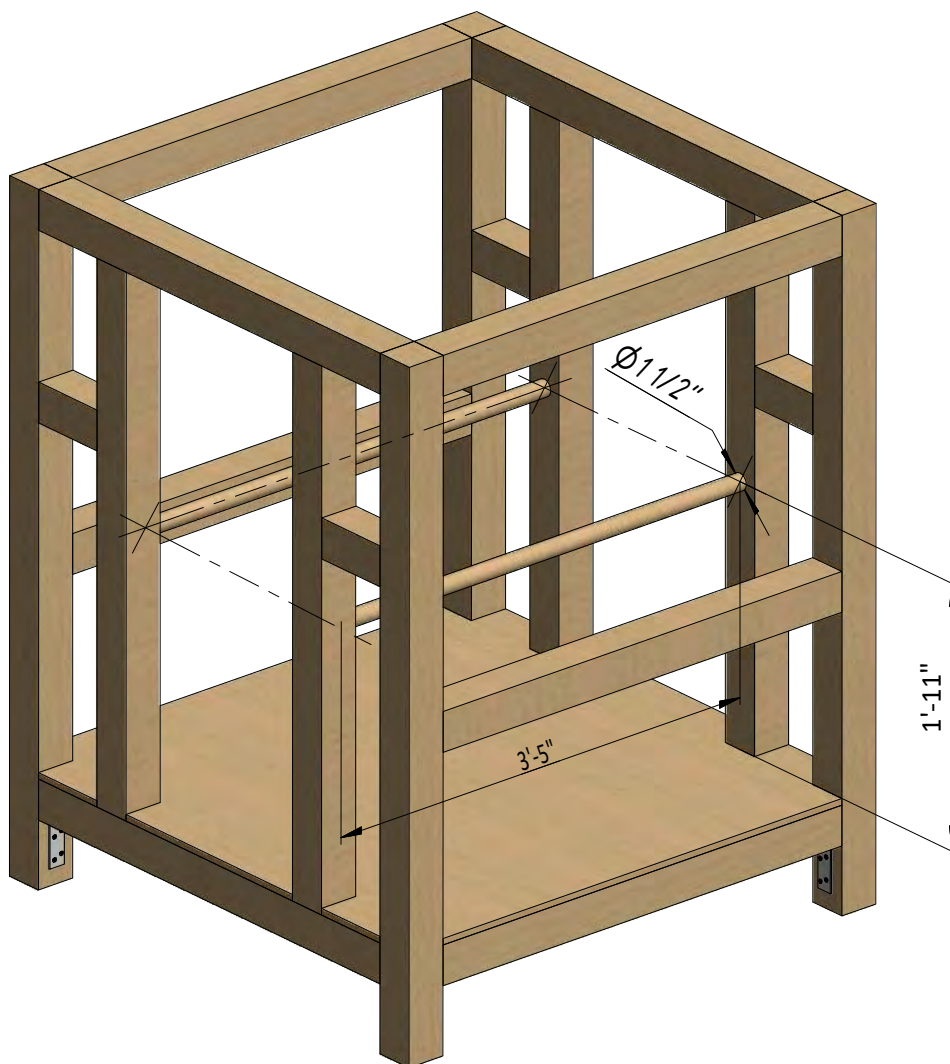


## STEP 7

### Roosts Installation

7.1 Using 1 1/2 " diameter wooden dowels, cut two pieces 3' 5" long and attach with 5" wood screws as shown in the diagram below.

7.2 Install them in the middle of studs by means 5" wood screw.



## STEP 8

### Nesting Box Assemble

It is necessary to make two boxes for the right and left walls.

**8.1** Using 1 1/2 " x 2 1/2 " material, assemble the frame for the nesting boxes using the illustration below as a guide. Make sure to take note of the 9 degree slope needed for the roof of the nesting boxes.

**8.2** Cover the top and bottom of the nesting boxes with 9/16" plywood and secure with 2" wood screws.

**8.3** Prepare and install starter courser from the pressure-treated lumber with cross section 1/4" x 3/4". Prepare the 1/2" x 6" wood siding boards in the required amount according to the drawing. Cut the shield's top part according to the angle of rafter slope. Assemble siding shields with 2" galvanized nails to the frame beams.

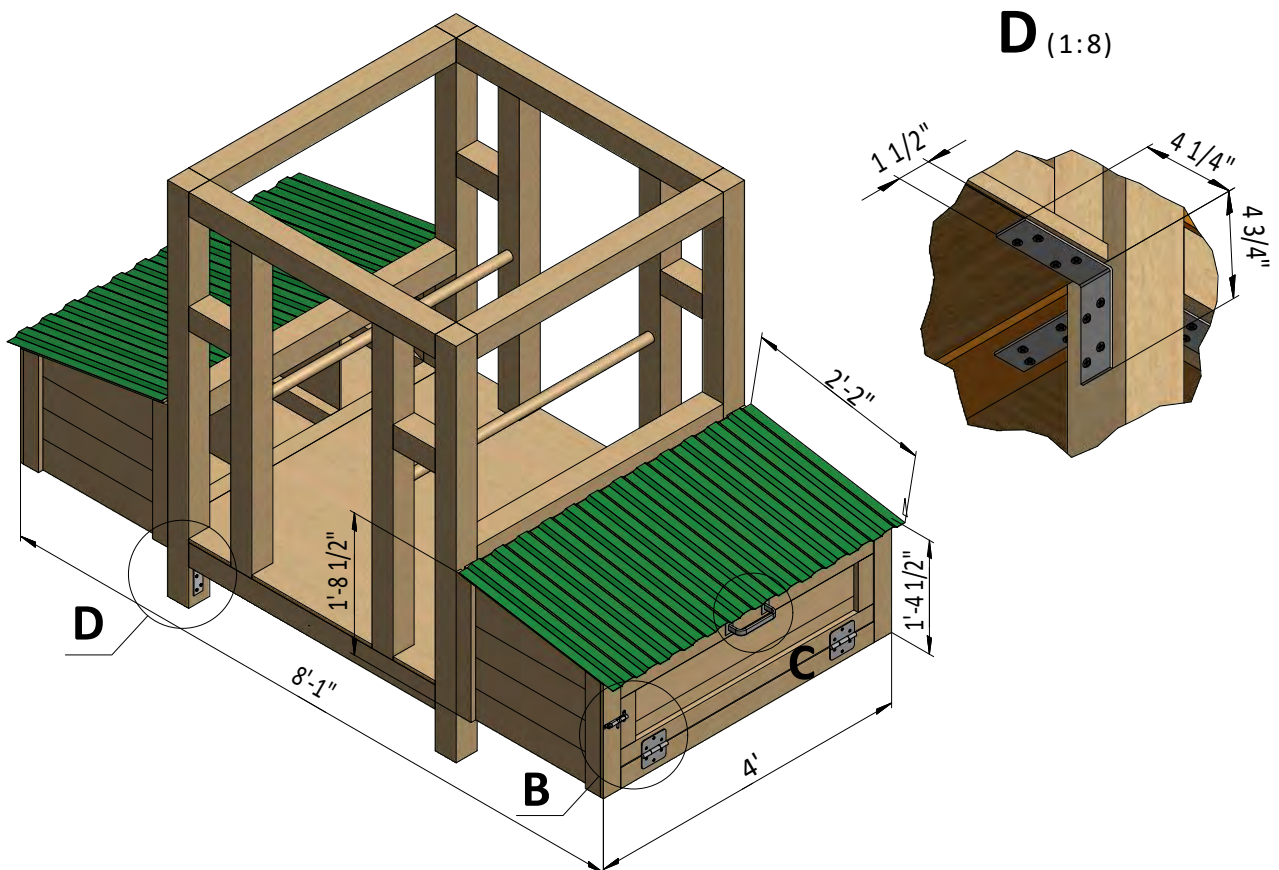
**8.4** Prepare wall's trims from the boards with a cross-section of 3/4" x 1"; 3/4" x 2 1/2"; 3/4" x 3". Cut the boards at the required angles along the siding contour for the framing.

**8.5** Assemble the door frame using 1 1/2 " x 2 1/2 " material according to the illustration and use the same siding material listed in steps 9.3 and 9.4.

**8.6** Install two 3" door hinges using 6x1" wood screws. Finish the door installation by attaching 4" surface bolt and 6" door pull.

**8.7** Cover the roof of the nesting boxes with corrugated roof panels and secure with 1 1/2 " sheet metal screws and neoprene washers.

**8.8** Install nest box assemblies with the help of two corner braces and 8x1" wood screws. Connect the box frame and coop's frame by 5" wood screws.



## STEP 9

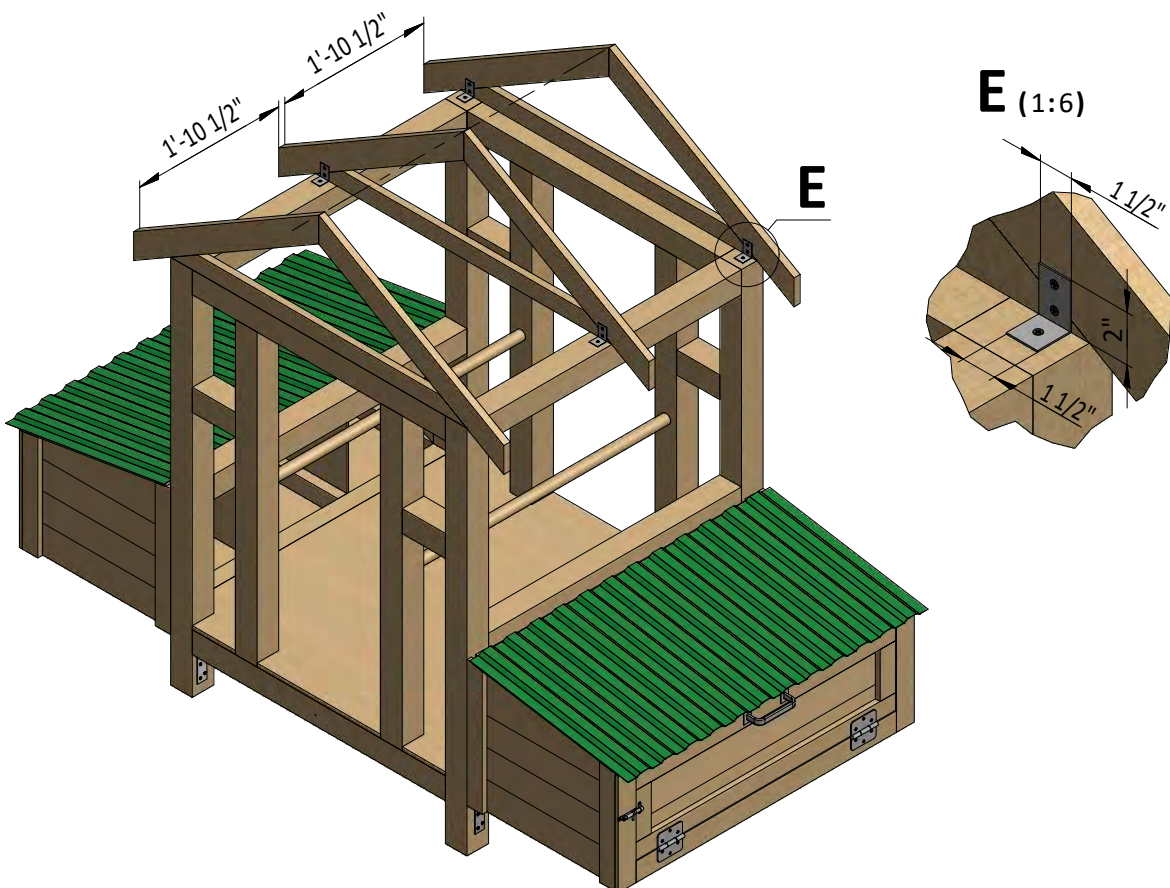
### Assemble The Roof Frame

9.1 Prepare 6 rafters with cross-section  $1\frac{1}{2}'' \times 3\frac{1}{2}''$ .

9.2 Prepare 3 collar ties with cross-section  $1\frac{1}{2}'' \times 2\frac{1}{2}''$ .

9.3 Connect rafters and collar ties with the help of 2x4" wood screws.

9.4 Install rafters assemblies with the help of corner braces and 3x1" wood screws.



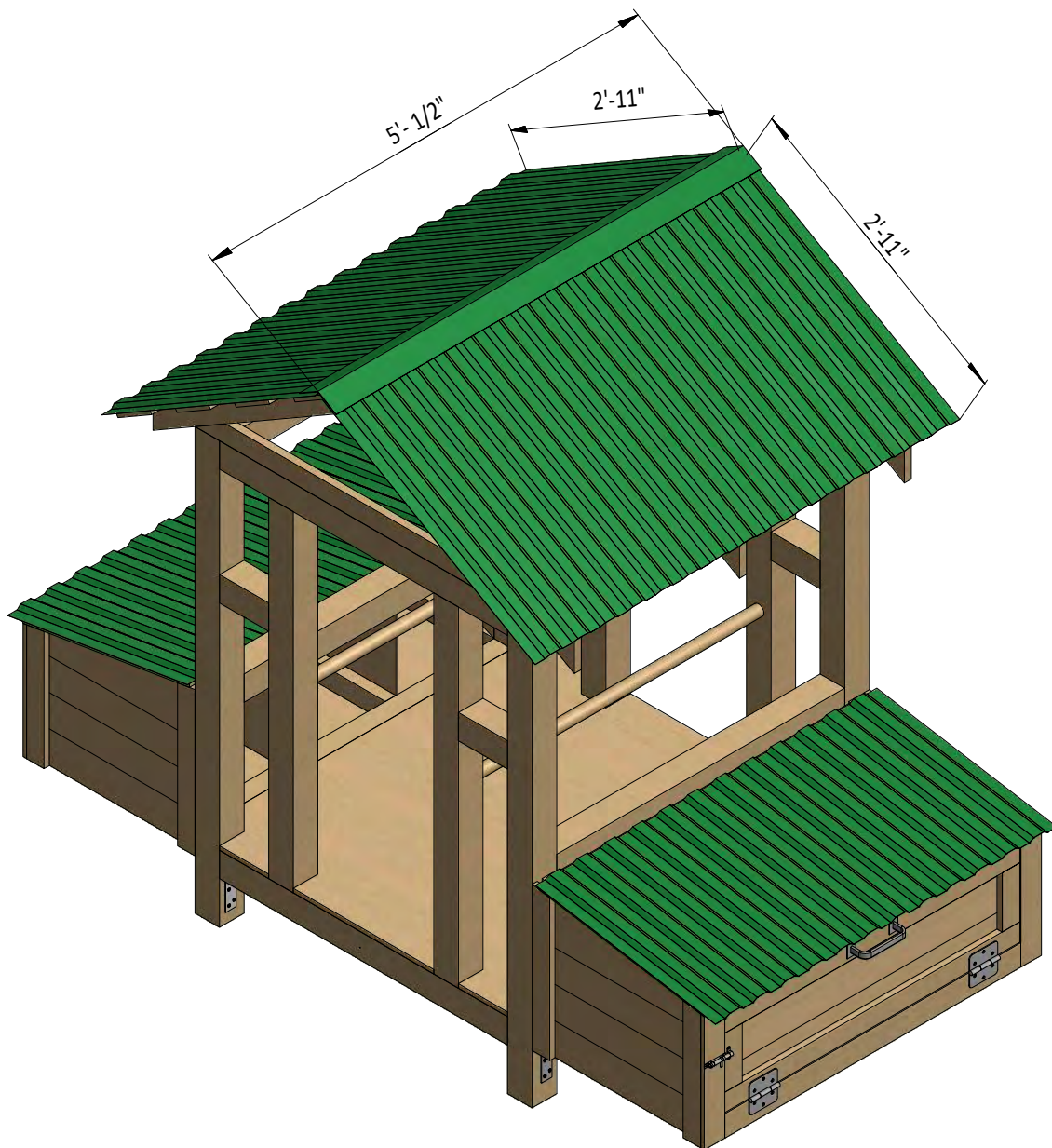
## STEP 10

### Installing Corrugated Roofing

**10.1** To cover the roof will need 30 ft<sup>2</sup> of corrugated material .

**10.2** Fasten the panels with 1 1/2" sheet metal screw with neoprene washer.

**10.3** Prepare and install metal roof ridge cap according to the drawing.

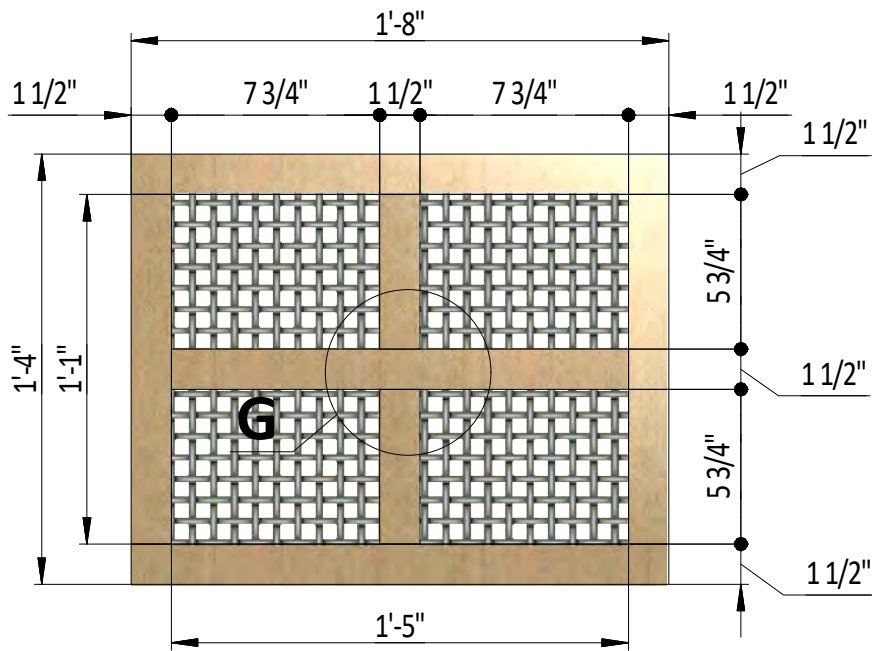


**STEP 11**

## Window Installation

**11.1** Assemble the frame of the pressure-treated lumber with a cross section of 1 1/2" x 1 1/2", according to the drawing. Cut the beams to connect them in the centre.

**11.2** Prepare 1/4" wire mesh for window according to the dimensions.



## STEP 12

### Assemble and Install Coop Door

**12.1** Assemble the frame from the pressure-treated lumber with cross section  $3/4" \times 2 1/2"$  with  $2 \times 5"$  wood screws according to the drawing. Prepare and install  $9/16"$  plywood sheet.

**12.2** Install door trims from the pressure-treated lumber with cross section  $1 1/2" \times 3/4"$  with  $2"$  wood screws according to the drawing.

**12.3** Prepare and install starter courser from the pressure-treated lumber with cross section  $1/4" \times 3/4"$ .

**12.4** Prepare the  $1/2" \times 6"$  wood siding boards in the required amount according to the drawing.

**12.5** Assemble siding shields with  $2"$  galvanized nails.

**12.6** Prepare and install stairs from the pressure-treated lumber with cross section  $3/4" \times 3/4"$ .

**12.7** Install three  $6"$  door hinges using  $2 \times 1"$  wood screws. Finish the door installation by attaching  $4"$  surface bolt and  $6"$  door pull (see nodes **I**, **H**).



## STEP 13

### Final touches

Now that your coop is all done, you are ready to decorate it any way you want using your favorite paint, stain, or preservative.







## Compare Free vs. Premium plan

|                                  | Free plan | Premium edition |
|----------------------------------|-----------|-----------------|
| Pages                            | 18        | 33              |
| Illustrations for Each Step      | ✓         | ✓               |
| Print Ready                      | ✓         | ✓               |
| Step By Step Instructions        | ✓         | ✓               |
| Full Materials and Cuttings List | ✗         | ✓               |
| Additional Illustrations         | ✗         | ✓               |
| Additional Blueprints            | ✗         | ✓               |
| Tools List                       | ✗         | ✓               |
| Fastening Elements List          | ✗         | ✓               |
| Technical Support                | ✗         | ✓               |

[TRY PREMIUM](#)



For more great **HOW-TO** plans please visit: <https://easycoops.com/>

## Copyright

The text and illustrations that appear here are the exclusive property of shedplans.org and are protected by federal copyright laws. The duplication, sale or distribution of any portion of these plans without prior written consent from the original designer will be subject to the appropriate penalties for copyright infringement. Sharing this plan on the web is only permitted with an indicated original source: <https://easycoops.com/>